



Reference: 1039.  
Line: Cylindrical  
Application: Pendant  
Description: Cylindrical Suspension Pendant Ø80x15

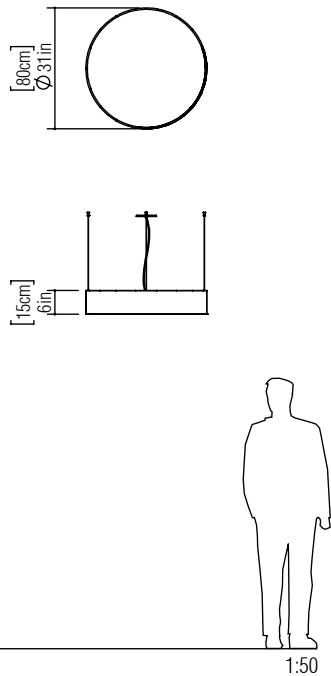
Material: Natural Wood Veneer, MDF and Acrylic  
Weight (unpacked): 4,80kg/10,58lb

Light Source Type: E-27  
7x 25W (max. each)  
Fluorescent or LED  
Bulbs not included

Color Temperature: Lamp dependent  
CRI: Lamp dependent  
Luminous Flux: Lamp dependent

Isolation: Class II  
Input Voltage (VAC): 110 ~ 277V  
Input Frequency (Hz): 60 Hz

Suspension Cable Length: 160cm/63in



Finish Options:

	01 Pine		24 Marsala
	02 Coffee		25 Iridescent White
	04 Tobacco		26 Light Pink
	06 Imbuia		27 Gold
	07 White		28 Silver
	09 Louro Freijo		29 Teal
	12 Teak		30 Olive Green
	13 Bluish Green		31 Ferrari Red
	14 Yellow		32 Copper
	15 Cappuccino		33 Bronze
	18 American Walnut		34 Birch
	22 Black		