



Reference: 1041.  
Line: Cylindrical  
Application: Pendant  
Description: Cylindrical Suspension Pendant

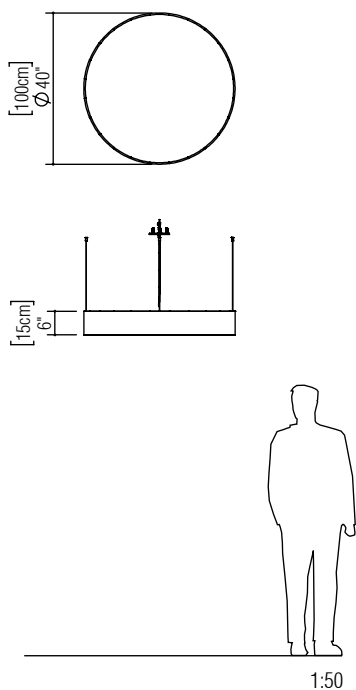
Material: Natural Wood Veneer, MDF and Acrylic  
Weight (unpacked): 7,65kg/13,01lb

Light Source Type: E-26  
8x 25W (max. each)  
Fluorescent or LED  
Bulbs not included

Color Temperature: Lamp dependent  
CRI: Lamp dependent  
Luminous Flux: Lamp dependent

Isolation: Class II  
Input Voltage (VAC): 110 ~ 277V  
Input Frequency (Hz): 60 Hz

Suspension Cable Length: 160cm/63in



Finish Options:

	01 Pine		25 Iridescent White
	02 Matte Black		26 Light Pink
	04 Tobacco		27 Gold
	06 Imbuia		28 Silver
	07 White		29 Teal
	09 Louro Freijó		30 Olive Green
	12 Teak		31 Ferrari Red
	13 Bluish Green		32 Copper
	15 Cappuccino		33 Bronze
	18 American Walnut		34 Maple
	22 Glossy Black		36 Emerald Green
	24 Marsala		37 Coral