

## 506LED [LED]

Name: Slatted Accord Ceiling Mounted 506 LED  
 Collection: Slatted  
 Application: Ceiling  
 Construction: Natural Wood Venner, MDF and Acrylic

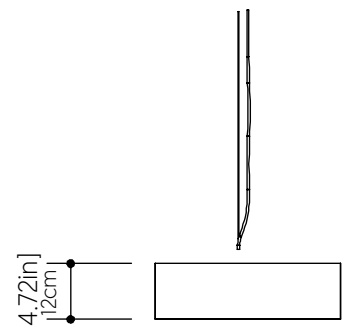
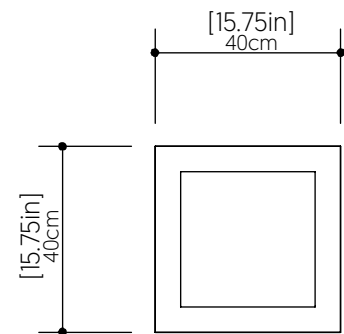
### Specifications

Light Source:	Integrated LED Module
Driver Location	Inside the luminaire
Color Temperature:	3000K, 3500K and 4000K
Dimming Option:	0-10V, ELV/TRIAC
CRI:	90
Delivered Lumens:	2200 lm
Total Power:	32 W
Input Voltage:	120V - 277V
Input Frequency:	60 Hz
Canopy Dimension	N/A
Height Adjustment Limit:	N/A
Weight:	N/A

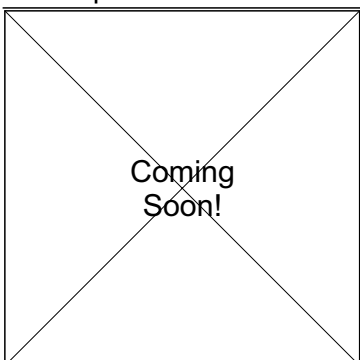
### Fixture Image



### Technical Drawing



### Photometric Graph



### Standards

