

5013LED [LED]

Name: Cylindrical Accord Ceiling Mounted 5013 LED

Collection: Cylindrical

Application: Ceiling

Construction: Natural Wood Venner, MDF and Acrylic

Specifications

Light Source: Integrated LED Module

Driver Location: Inside the luminaire

Color Temperature: 3000K, 3500K and 4000K

Dimming Option: 0-10V, ELV/TRIAC

CRI: 90

Delivered Lumens: 2475lm

Total Power: 36W

Input Voltage: 120V - 277V

Input Frequency: 60 Hz

Canopy Dimension: N/A

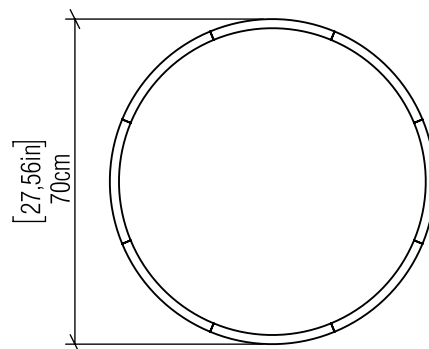
Height Adjustment Limit: N/A

Weight: N/A

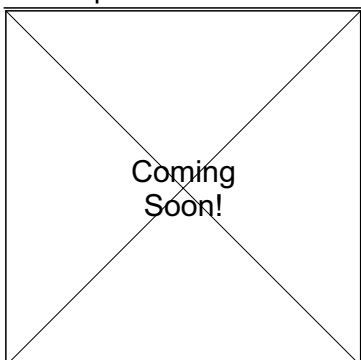
Fixture Image



Technical Drawing



Photometric Graph



Standards

