

# 1488 [E-26]

Name: Living Hinges Accord Pendant 1488  
 Collection: Living Hinges  
 Application: Pendant  
 Construction: Natural Wood Veneer, MDF

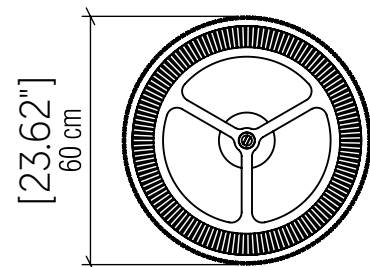
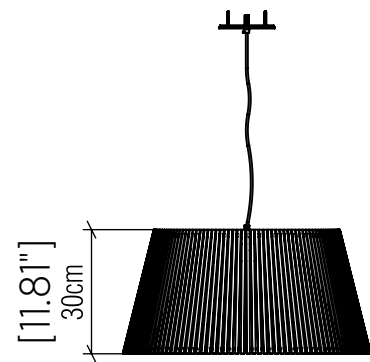
## Fixture Image



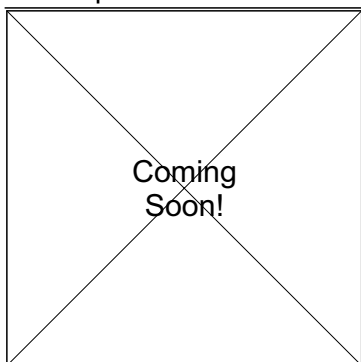
## Specifications

Light Source: 1X 25W 120V-240V E26 [medium base]  
 Driver Location: N/A  
 Color Temperature: Lamp Dependent  
 Dimming Option: Lamp Dependent  
 CRI: Lamp Dependent  
 Delivered Lumens: Lamp Dependent  
 Total Power: Lamp Dependent  
 Input Voltage: 120V - 240V  
 Input Frequency: 60 Hz  
 Canopy Dimension: H0.8cm Ø13,5cm / H0.31" Ø5.31"  
 Height Adjustment Limit: 10'  
 Weight:

## Technical Drawing



## Photometric Graph



## Standards

