



Specifier: _____ Date: _____

Project name: _____

Project location: _____

4128 [GU10]

Name: Dot Accord Wall Lamp 4128
 Collection: Dot
 Application: Wall Lamp
 Construction: Natural Wood Venner, MDF and Carbon Steel

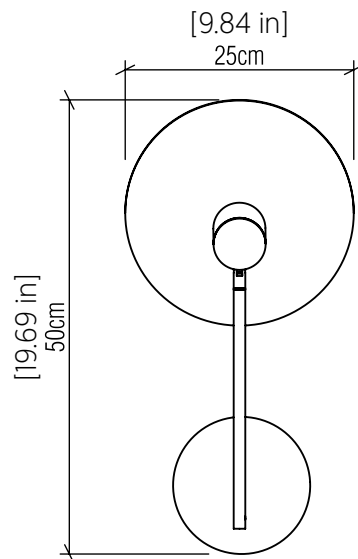
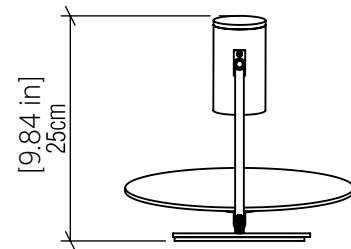
Fixture Image



Specifications

Light Source: 1x GU10 6W 120V-240V
 Light Bulbs not Included
 Color Temperature: Lamp dependent
 CRI: Lamp dependent
 Delivered Lumens: Lamp dependent
 Total Power: Lamp dependent
 Input Voltage: 120V-240V
 Input Frequency: 60 Hz
 Canopy Dimension: N/A
 Weight: 1.53kg/3.37lbs

Technical Drawing



Photometric Graph



Standards

