

1414LED [LED]

Name: Frame Trio Cylindrical Pendant 1414LED
 Collection: Frame
 Application: Pendant
 Construction: Natural Wood Venner, MDF and Acrylic

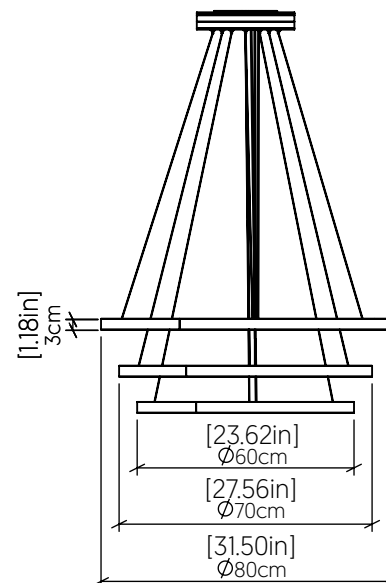
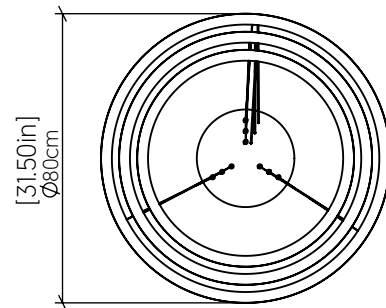
Specifications

Light Source:	Integrated LED Module
Driver Location:	Canopy
Color Temperature:	3000K, 3500K and 4000K
Dimming Option:	0-10V OR ELV/TRIAC
CRI:	90
Delivered Lumens:	4448 lm
Total Power:	76 W
Input Voltage:	120V-277V
Input Frequency:	60 Hz
Canopy Dimension:	N/A
Height Adjustment Limit:	10'
Weight:	N/A

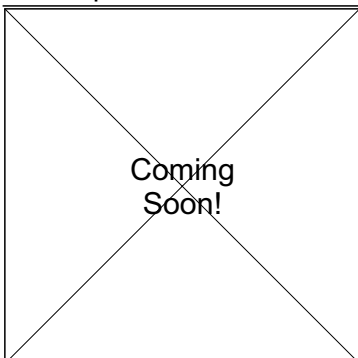
Fixture Image



Technical Drawing



Photometric Graph



Standards

