

5086LED

Name: Frame Accord Ceiling Mounted 5086 LED
 Collection: Frame
 Application: Ceiling
 Construction: Natural Wood Venner, MDF and Acrylic

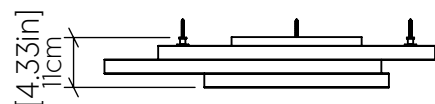
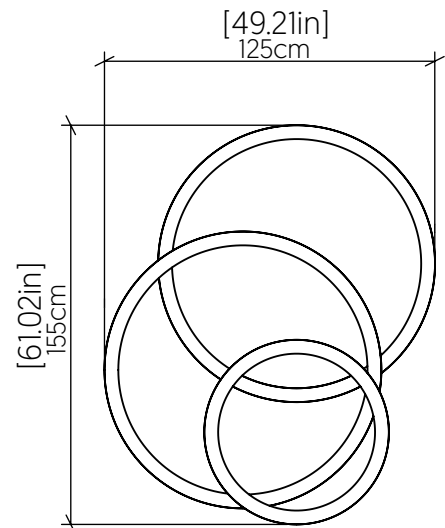
Specifications

Light Source: Integrated LED Module
 Driver Location: Inside the luminaire
 Color Temperature: 3000K, 3500K and 4000K
 Dimming Option: 0-10V, ELV/TRIAC
 CRI: 90
 Delivered Lumens: 7800 lm
 Total Power: 84 W
 Input Voltage: 120V - 277V
 Input Frequency: 60 Hz
 Canopy Dimension: N/A
 Height Adjustment Limit: N/A
 Weight: N/A

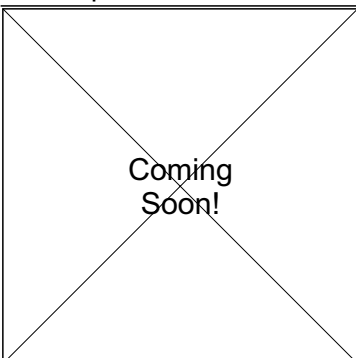
Fixture Image



Technical Drawing



Photometric Graph



Standards

