



Specifier: _____ Date: _____

Project name: _____

Project location: _____

4063LED (LED)

Name: Faceted Accord Wall Lamp 4063
 Collection: Facet
 Application: Wall Lamp
 Construction: Natural Wood Venner, MDF and Acrylic

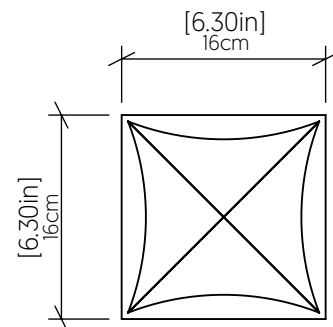
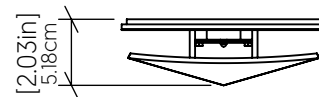
Specifications

Light Source: Integrated LED Module
 Driver Location: Inside the luminaire
 Color Temperature: 3000K, 3500K and 4000K
 Dimming Option: 0-10V OR ELV/TRIAC
 CRI: 90
 Delivered Lumens: 550lm
 Total Power: 8W
 Input Voltage: 120V - 277V
 Input Frequency: 60 Hz
 Canopy Dimension: N/A
 Weight: Weight

Fixture Image



Technical Drawing



Photometric Graph



Standards

