

1352LED [LED]

Name: Cylindrical Accord Pendant 1352 LED
 Collection: Cylindrical
 Application: Pendant
 Construction: Natural Wood Venner, MDF and Acrylic

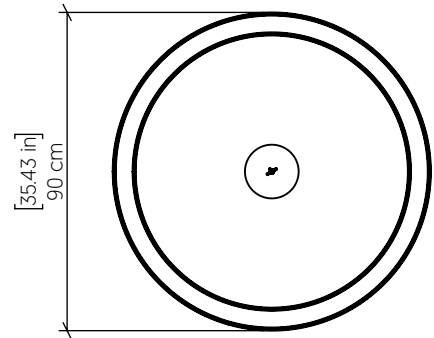
Specifications

Light Source: Integrated LED Module
 Driver Location: Canopy
 Color Temperature: 3000K, 3500K and 4000K
 Dimming Option: 0-10V OR ELV/TRIAC
 CRI: 90
 Delivered Lumens: 1148 lm
 Total Power: 32.3 W
 Input Voltage: 120V-277V
 Input Frequency: 60 Hz
 Canopy Dimension: N/A
 Height Adjustment Limit: 10'
 Weight: N/A

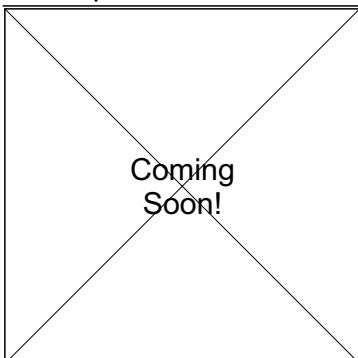
Fixture Image



Technical Drawing



Photometric Graph



Standards

