

494LED [LED]

Name: Squares Accord Ceiling Mounted 494 LED
 Collection: Squares
 Application: Ceiling
 Construction: Natural Wood Venner, MDF and Acrylic

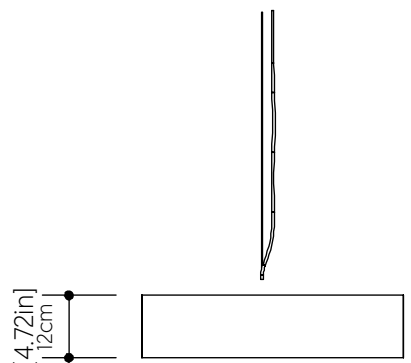
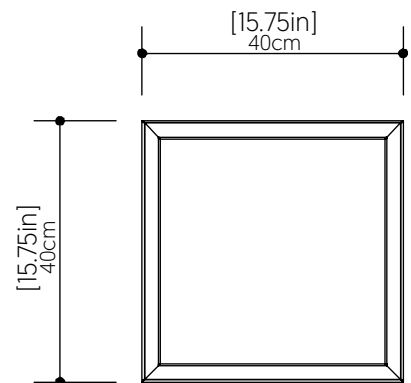
Specifications

Light Source:	Integrated LED Module
Driver Location:	Inside the luminaire
Color Temperature:	3000K, 3500K and 4000K
Dimming Option:	0-10V, ELV/TRIAC
CRI:	90
Delivered Lumens:	2200lm
Total Power:	32W
Input Voltage:	120V - 277V
Input Frequency:	60 Hz
Canopy Dimension:	N/A
Height Adjustment Limit:	N/A
Weight:	N/A

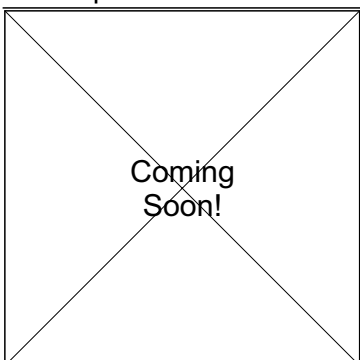
Fixture Image



Technical Drawing



Photometric Graph



Standards

