



Specifier: \_\_\_\_\_ Date: \_\_\_\_\_

Project name: \_\_\_\_\_

Project location: \_\_\_\_\_

## 214LED [LED]

Name: Cylindrical Accord Pendant 214 LED  
 Collection: Cylindrical  
 Application: Pendant  
 Construction: Natural Wood Venner, MDF and Acrylic

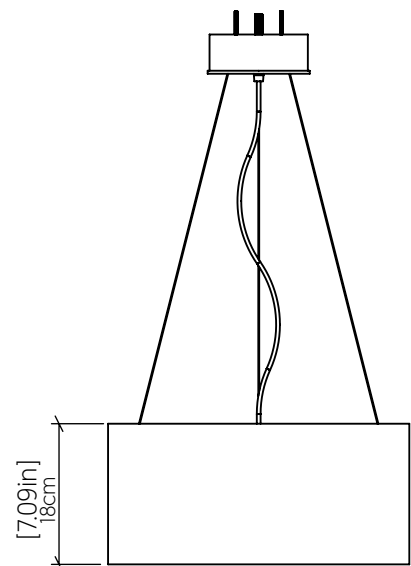
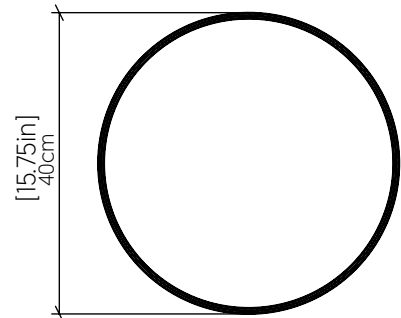
### Specifications

Light Source:	Integrated LED Module
Driver Location:	Dimmer Dependent
Color Temperature:	3000K, 3500K or 4000K
Dimming Option:	0-10V OR ELV/TRIAC
CRI:	90
Delivered Lumens:	1650lm
Total Power:	24W
Input Voltage:	120V - 277V
Input Frequency:	60 Hz
Canopy Dimension:	CANOPY DIMENSION
Height Adjustment Limit:	10'
Weight:	

### Fixture Image



### Technical Drawing



### Photometric Graph



### Standards

