



Specifier: _____ Date: _____

Project name: _____

Project location: _____

217LED [LED]

Name: Cylindrical Accord Pendant 217 LED
 Collection: Cylindrical
 Application: Pendant
 Construction: Natural Wood Venner, MDF and Acrylic

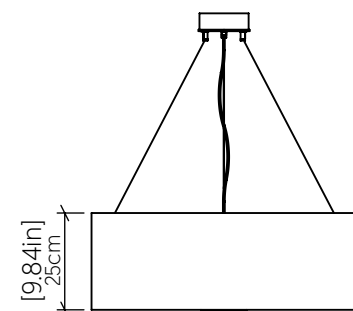
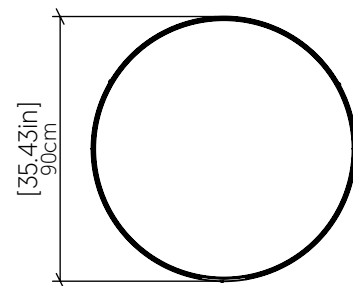
Specifications

Light Source:	Integrated LED Module
Driver Location:	Dimmer Dependent
Color Temperature:	3000K, 3500K or 4000K
Dimming Option:	0-10V OR ELV/TRIAC
CRI:	90
Delivered Lumens:	5775lm
Total Power:	84W
Input Voltage:	120V - 277V
Input Frequency:	60 Hz
Canopy Dimension:	CANOPY DIMENSION
Height Adjustment Limit:	10'
Weight:	6,9kg

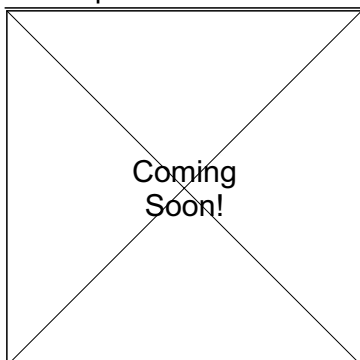
Fixture Image



Technical Drawing



Photometric Graph



Standards

