



Specifier: _____ Date: _____

Project name: _____

Project location: _____

213LED [LED]

Name: Cylindrical Accord Pendant 213LED
 Collection: Cylindrical
 Application: Pendant
 Construction: Natural Wood Venner, MDF and Acrylic

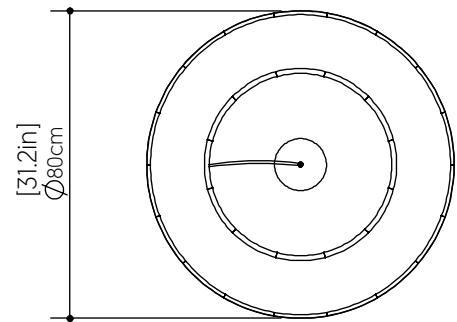
Specifications

Light Source:	Integrated LED Module
Driver Location:	Dimmer Dependent
Color Temperature:	3000K, 3500K or 4000K
Dimming Option:	0-10V OR ELV/TRIAC
CRI:	90
Delivered Lumens:	4950lm
Total Power:	72W
Input Voltage:	120V - 277V
Input Frequency:	60 Hz
Canopy Dimension:	CANOPY DIMENSION
Height Adjustment Limit:	10'
Weight:	

Fixture Image



Technical Drawing



Photometric Graph



Standards

