



Specifier: \_\_\_\_\_ Date: \_\_\_\_\_

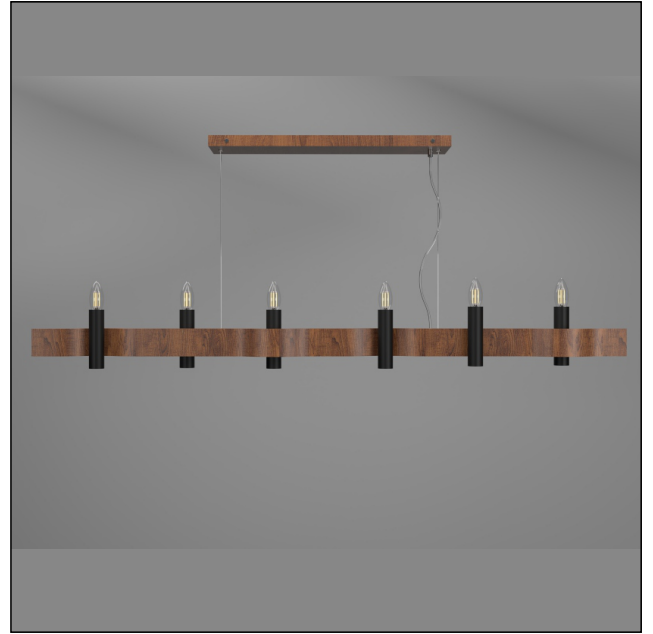
Project name: \_\_\_\_\_

Project location: \_\_\_\_\_

# 1518 [E-12]

Name: Flow Accord Pendant 1518  
 Collection: Flow  
 Application: Pendant  
 Construction: Natural Wood Veneer, MDF

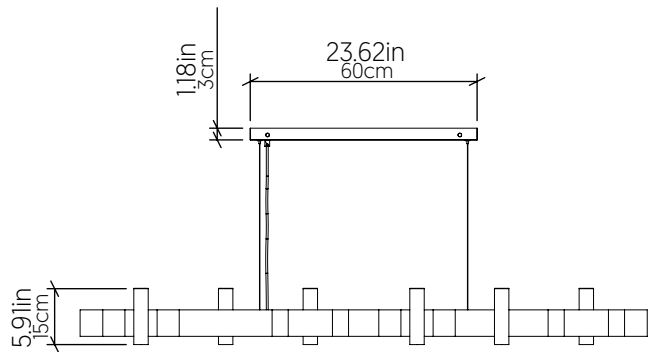
## Fixture Image



## Specifications

Light Source: 6x 10w 110V -125V [E12]  
 Driver Location: N/A  
 Color Temperature: Lamp Dependent  
 Dimming Option: Lamp Dependent  
 CRI: Lamp Dependent  
 Delivered Lumens: Lamp Dependent  
 Total Power: Lamp Dependent  
 Input Voltage: 110V-125V  
 Input Frequency: 60 Hz  
 Height Adjustment Limit: 10'

## Technical Drawing



## Photometric Graph



## Standards

