



Specifier: _____ Date: _____

Project name: _____

Project location: _____

1511 [E26]

Name: Oyster Accord Pendant 1511
 Collection: Oyster
 Application: Pendant
 Construction: Natural Wood Veneer, MDF

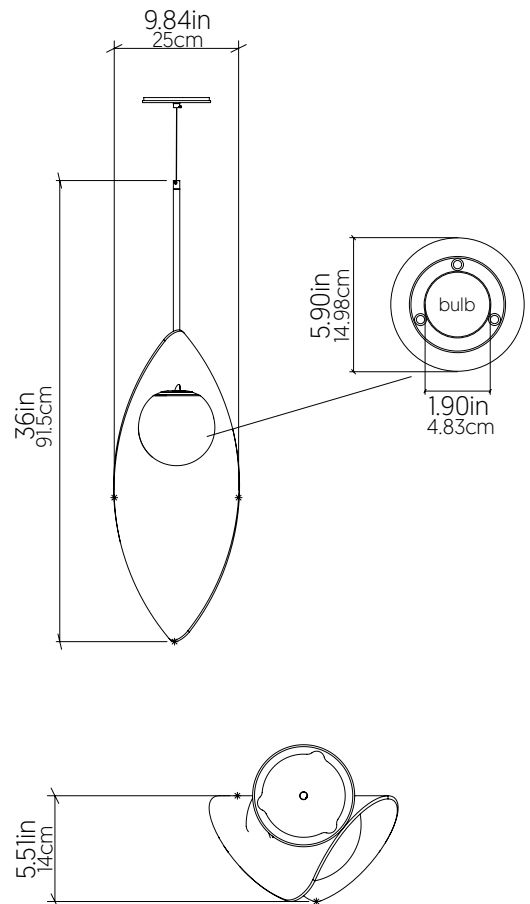
Fixture Image



Specifications

Light Source: 1x 25W 120V - 240V [E26]
 Driver Location: N/A
 Color Temperature: Lamp Dependent
 Dimming Option: Lamp Dependent
 CRI: Lamp Dependent
 Delivered Lumens: Lamp Dependent
 Total Power: Lamp Dependent
 Input Voltage: 120V-240V
 Input Frequency: 60 Hz
 Height Adjustment Limit: 10'
 Lamp Type: E26- A15 [1.9" diameter]

Technical Drawing



Photometric Graph



Standards

