

WARNING!



Be sure electrical power is OFF before and during installation or maintenance. The luminaire must be installed by a qualified electrician, in accordance with all applicable local codes.

Ensure that the rated luminaire voltage requirements are compatible with the available mains supply in which it will be installed. All LEDs are included in your lamp. Never touch the LED surface with your bare hands as this may reduce the life of your LED. Do not alter, relocate or remove any electrical component.

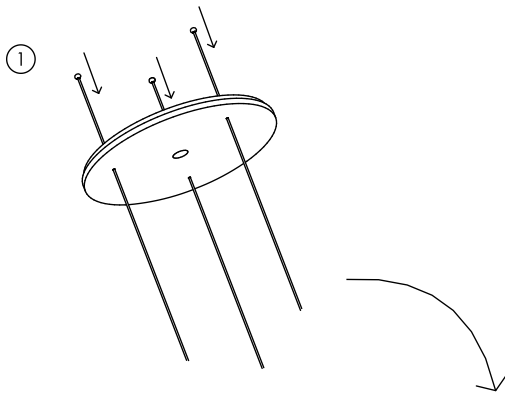
REF.	Wattage
1146	32W
1145	20W
296	36W
214	24W
1037	36W
202	36W
206	48W
231	32W
1226	16W
1227	32W

Material: Natural Wood Veneer MDF and Acrylic

INSTALLING THE FIXTURE ON CEILING

Turn off the electrical power before starting the installation, and keep it turned off until the installation is completed.

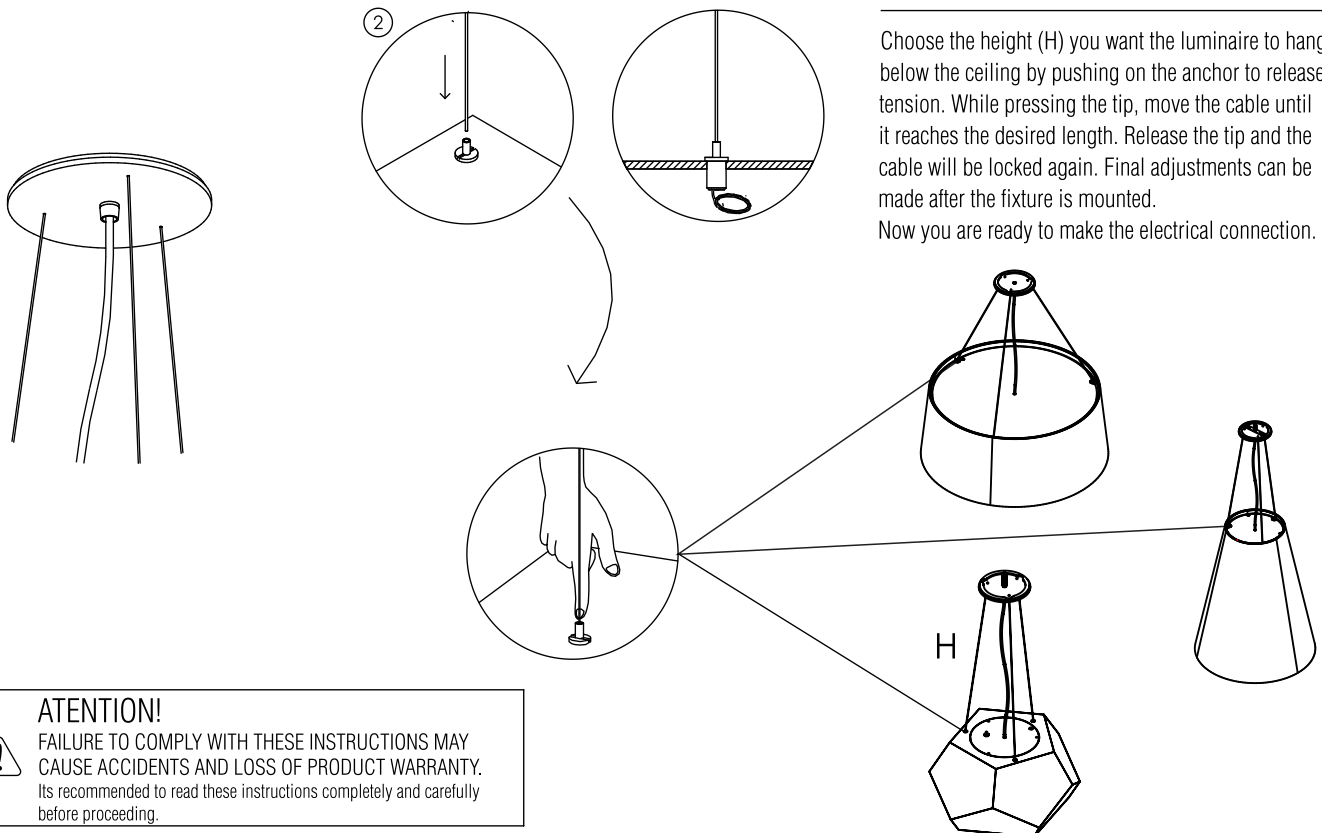
This assembly may require the work of two people so it can be secure and well executed.



- 1 Insert the suspension cables through the canopy holes, and make sure that the ball-end is located inside of the canopy.
- 2 The other end of the suspension cable shall be inserted at the adjustable cable grippers installed on the fixture. To insert the cable and adjust the height, press the tip of the gripper while simultaneously sliding the cable in. When you release it, the gripper will lock the cable and anchor the fixture. Repeat this process with all the grippers, adjusting the height and leveling the fixture. Reserve the extra cables by wrapping it inside the fixture, and make sure that it does not touch any electrical connections and electrical components.

ADJUSTING THE FIXTURE HEIGHT

Choose the height (H) you want the luminaire to hang below the ceiling by pushing on the anchor to release tension. While pressing the tip, move the cable until it reaches the desired length. Release the tip and the cable will be locked again. Final adjustments can be made after the fixture is mounted. Now you are ready to make the electrical connection.



ATTENTION!



FAILURE TO COMPLY WITH THESE INSTRUCTIONS MAY CAUSE ACCIDENTS AND LOSS OF PRODUCT WARRANTY. Its recommended to read these instructions completely and carefully before proceeding.

SAVE THESE INSTRUCTIONS FOR FUTURE REFERENCE.

ACCORD Lighting guarantees coverage against manufacturing defects including electrical components and finishes, for a period of three years, under normal use, from the date of purchase. For warranty service, please contact your local dealer for further instructions. Proof of date of purchase will be required for validation of warranty service.

The responsibility of the manufacturer regarding the product warranty is related to the correct observation of the instructions contained in this manual. The manufacturer is not responsible for any damage to the product caused by accidents, alterations of any kind, improper usage or improper installation. See the website for additional warranty details.

ACCORD Lighting reserves the right to change the dimensions and specifications contained in this manual without prior notice, in accordance with its policy of continuous product improvement. Please, contact the manufacturer if additional information is necessary. The illustrations in this manual are for guidance only and may vary in scale, dimensions and model details.

WARNING!



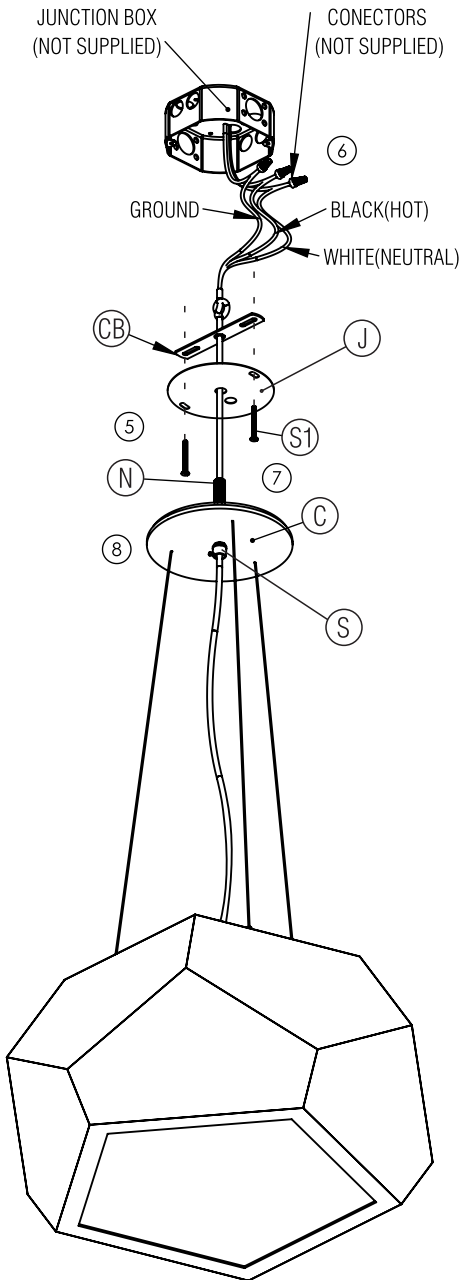
Be sure electrical power is OFF before and during installation or maintenance. The luminaire must be installed by a qualified electrician, in accordance with all applicable local codes.

Ensure that the rated luminaire voltage requirements are compatible with the available mains supply in which it will be installed. All LEDs are included in your lamp. Never touch the LED surface with your bare hands as this may reduce the life of your LED. Do not alter, relocate or remove any electrical component.

Input Voltage: 120V - 277V
 Input Frequency: 60 Hz
 Isolation: Class II

Material: Natural Wood Veneer MDF and Acrylic

INSTALLING THE FIXTURE ON CEILING



- ⑤ Pass the power supply cable through the strain relief (S), threaded tube nipple (N), canopy (C), junction box cover (J) and crossbar (CB). Adjust the cable length so it is equivalent to the desired height for the luminaire to be installed.
- ⑥ Make the electrical connections in compliance with all the safety standards and local electrical codes. This product must be installed in accordance with the applicable installation code by a person familiar with the construction and operation of the product, and the hazards involved.
- ⑦ Using the (S1) screws, fixate the crossbar into the junction box.
- ⑧ Fixate the threaded nipple into the crossbar through the center hole of the canopy. Bring the canopy close to the junction box, fitting the nipple in its center hole. Using the strain relief, fixate them into the nipple. Once its secure, tighten the screw on the strain relief to anchor the power cord.

Turn on the electrical power.

The luminaire is ready for use.

DIMMER COMPATIBILITY

The LED driver included with this fixture is designed to operate with most standard dimmers. All power ratings and installation instructions from dimmer manufacturers' instruction sheets must be followed.

PROVIDED SCREWS



S1

ATTENTION!



FAILURE TO COMPLY WITH THESE INSTRUCTIONS MAY CAUSE ACCIDENTS AND LOSS OF PRODUCT WARRANTY. Its recommended to read these instructions completely and carefully before proceeding.

SAVE THESE INSTRUCTIONS FOR FUTURE REFERENCE.

ACCORD Lighting guarantees coverage against manufacturing defects including electrical components and finishes, for a period of three years, under normal use, from the date of purchase. For warranty service, please contact your local dealer for further instructions. Proof of date of purchase will be required for validation of warranty service.

The responsibility of the manufacturer regarding the product warranty is related to the correct observation of the instructions contained in this manual. The manufacturer is not responsible for any damage to the product caused by accidents, alterations of any kind, improper usage or improper installation. See the website for additional warranty details.

ACCORD Lighting reserves the right to change the dimensions and specifications contained in this manual without prior notice, in accordance with its policy of continuous product improvement. Please, contact the manufacturer if additional information is necessary. The illustrations in this manual are for guidance only and may vary in scale, dimensions and model details.