

**WARNING!**



Be sure electrical power is OFF before and during installation or maintenance. The luminaire must be installed by a qualified electrician, in accordance with all applicable local codes.

Ensure that the rated luminaire voltage requirements are compatible with the available mains supply in which it will be installed. All LEDs are included in your lamp. Never touch the LED surface with your bare hands as this may reduce the life of your LED. Do not alter, relocate or remove any electrical component.

Line: Esfera  
 Family: Table lamp  
 Description: Sfera Accord Table Lamp 7064

Material: Natural Wood Veneer MDF and Glass Globe  
 Weight:

**MOUNTING ON THE FIXTURE**

Turn OFF the power before start the installation.

- ① Remove the glass globe from the metal bracket to have access to the lampholder.
- ② Install a standard E-26 base lightbulb (not included) into the lampholder within the luminaire. Choose a UL Listed lightbulb that does not touch globe and does not exceed the maximum wattage rating (25W).
- ③ While holding each tab of the metal bracket up, put the glass globe back into place. By releasing the tabs, the globe is attached to the holder again.

- ④ Plug it into a proper electrical outlet.

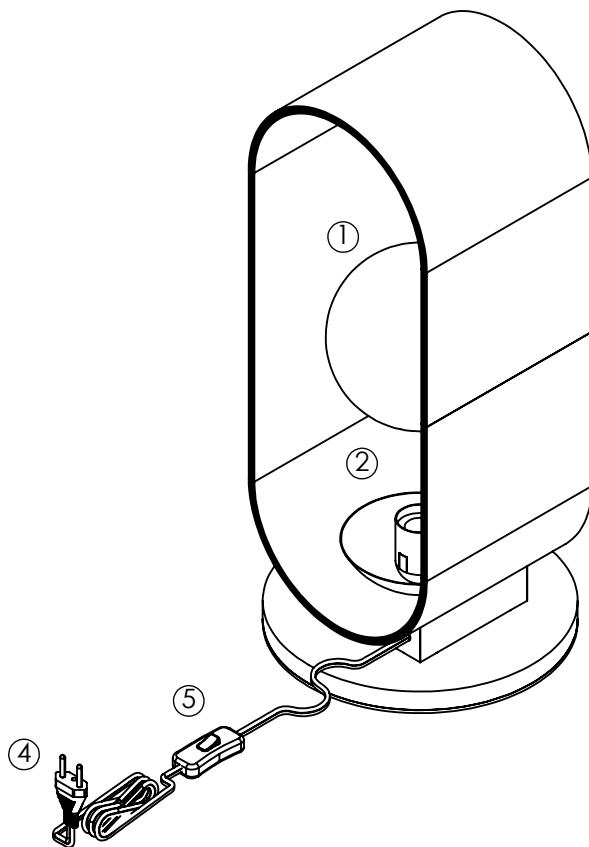
Turn ON a electrical power.

Your luminaire is now ready for use.

- ⑤ Use the electrical switch to turn ON/Off.

**SAFETY WHEN CONNECTING TO THE MAIS**

This luminaire has a polarized plug (one blade is wider than the other) as a safety feature to reduce the risk of electrical shock. This plug will fit in a polarized outlet only one way. If the plug does not fit fully in the outlet, reverse the plug. If it still does not fit, contact a qualified electrician. Never use with adapters or extension cords unless the plug can be fully inserted. Do not alter the plug.



**ATTENTION!**



FAILURE TO COMPLY WITH THESE INSTRUCTIONS MAY CAUSE ACCIDENTS AND LOSS OF PRODUCT WARRANTY. It is recommended to read these instructions completely and carefully before proceeding.

**SAVE THESE INSTRUCTIONS FOR FUTURE REFERENCE.**

ACCORD Lighting guarantees coverage against manufacturing defects including electrical components and finishes, for a period of three years, under normal use, from the date of purchase. For warranty service, please contact your local dealer for further instructions. Proof of date of purchase will be required for validation of warranty service.

The responsibility of the manufacturer regarding the product warranty is related to the correct observation of the instructions contained in this manual. The manufacturer is not responsible for any damage to the product caused by accidents, alterations of any kind, improper usage or improper installation. See the website for additional warranty details.

ACCORD Lighting reserves the right to change the dimensions and specifications contained in this manual without prior notice, in accordance with its policy of continuous product improvement. Please, contact the manufacturer if additional information is necessary. The illustrations in this manual are for guidance only and may vary in scale, dimensions and model details.