

**WARNING!**



Be sure electrical power is OFF before and during installation or maintenance. The luminaire must be installed by a qualified electrician, in accordance with all applicable local codes.

Ensure that the rated luminaire voltage requirements are compatible with the available mains supply in which it will be installed. All LEDs are included in your lamp. Never touch the LED surface with your bare hands as this may reduce the life of your LED. Do not alter, relocate or remove any electrical component.

Line: CUBIC  
Family: PENDANT  
Description: CUBIC ACCORD PENDANT 1456

Material: Natural Wood Vener, MDF and Frosted Glass Globe  
Weight:

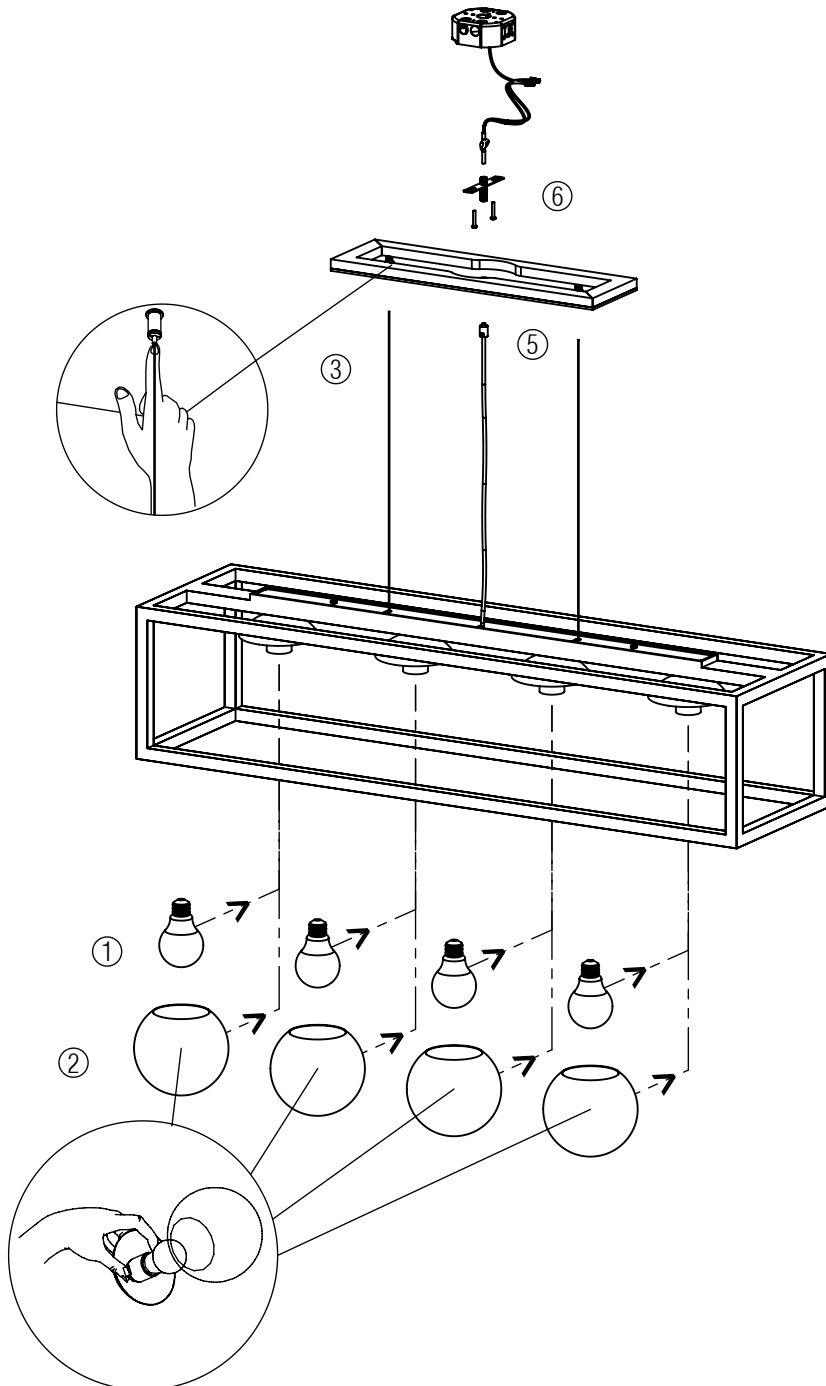
ASSEMBLING THE FIXTURE

Read carefully all the Assembly Instructions below, before starting the installation process.

Turn OFF the power before starting the installation.

- ① Remove the glass globe from the metal bracket to have access to the lamp holder. Install an UL Listed A15 E-26 lightbulb (not included) taking care to not exceed the recommended wattage rating of 25W.
- ② While holding the metal brackets up, insert the glass globe on one of its ends, carefully sliding it in and releasing tension, taking care to not damage the globe. Repeat this process with the other side. Releasing the bracket, the globe will be attached to the holder. Repeat this process to each lamp holder of the luminaire.
- ③ Pass the support cables through the cable anchors at the canopy, adjusting the desired height for the pendant to be suspended. To adjust the height, press the tip of the cable anchor while sliding the cable in. Release the cable anchor tip, and the suspension cable will be locked. Final adjustments can be made after the fixture is mounted.
- ④ Reserve the cable excess by wrapping it inside the canopy, ensuring that it does not touch any electrical connections, or simply cut the excess off.
- ⑤ Pass the power cable through the strain relief on the canopy, also through the threaded nipple and the mounting crossbar, at the desired suspension height. Connect the electrical supply wires to the mains supply at the junction box in accordance with all the applicable codes.
- ⑥ Attach the mounting crossbar to the junction box using the supplied screws.
- ⑦ Bring the canopy to the ceiling and secure it by screwing the strain relief cone with the threaded nipple into the crossbar. After confirming it is secure, tighten the screw on the strain relief to anchor the power cable, to avoid disconnections.

Turn ON the electrical power.  
Your luminaire is now ready for use.



**ATTENTION!**



FAILURE TO COMPLY WITH THESE INSTRUCTIONS MAY CAUSE ACCIDENTS AND LOSS OF PRODUCT WARRANTY. Its recommended to read these instructions completely and carefully before proceeding.

SAVE THESE INSTRUCTIONS FOR FUTURE REFERENCE.

ACCORD Lighting guarantees coverage against manufacturing defects including electrical components and finishes, for a period of three years, under normal use, from the date of purchase. For warranty service, please contact your local dealer for further instructions. Proof of date of purchase will be required for validation of warranty service.

The responsibility of the manufacturer regarding the product warranty is related to the correct observation of the instructions contained in this manual. The manufacturer is not responsible for any damage to the product caused by accidents, alterations of any kind, improper usage or improper installation. See the website for additional warranty details.

ACCORD Lighting reserves the right to change the dimensions and specifications contained in this manual without prior notice, in accordance with its policy of continuous product improvement. Please, contact the manufacturer if additional information is necessary. The illustrations in this manual are for guidance only and may vary in scale, dimensions and model details.