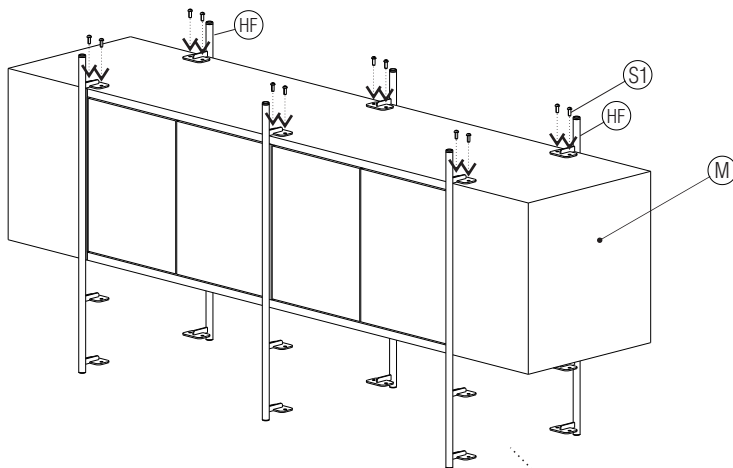


F1030

H05

ASSEMBLING, USE AND CONSERVATION
INSTRUCTIONS - USA & CANADA

02

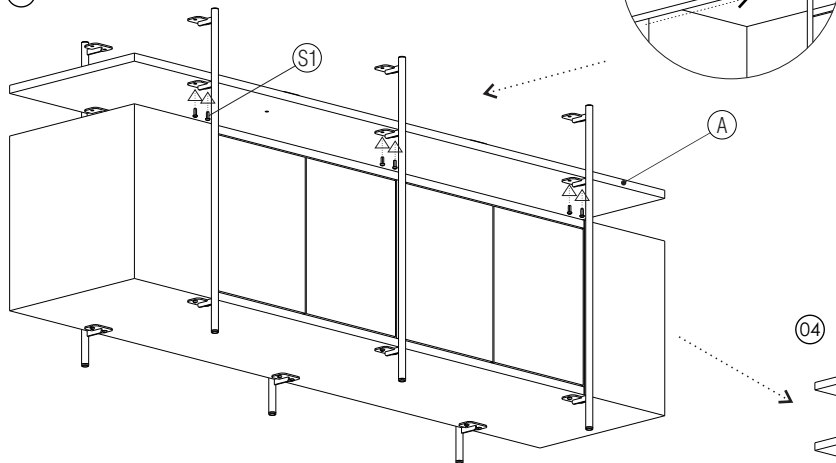


COLLECTION: Cascade
APPLICATION: Buffet Table
DESCRIPTION: Accord Buffet Cascade
MATERIALS: Natural wood veneer, MDF, carbon steel.

Read carefully all the instructions for the removal of the package and for the correct assembling, use and application:

ASSEMBLING THE BUFFET TABLE

03



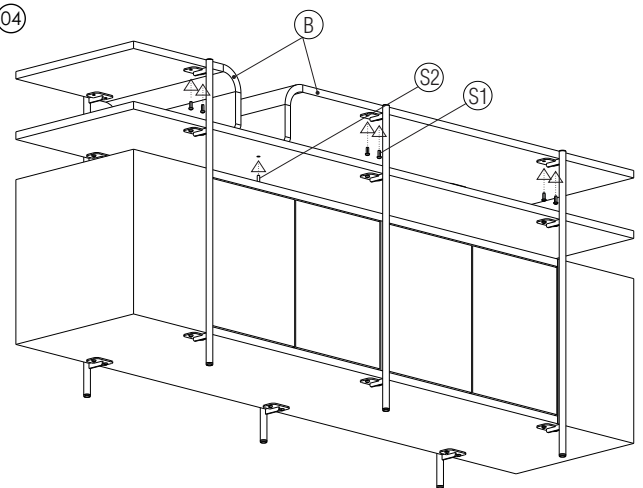
01 Remove the protecting package taking care to not scratch or cut the product. Place the parts of the furniture in a flat and clean surface to avoid scratches in the natural wood during the assembling process.

02 Initially, arrange the furniture with the holes facing upwards. Start the metal rods assembling using the provided screws (S1) and 4mm allen wrench. (Note that there is two metal rods with a hole in their body (HF). Both of them must be placed in the back of the furniture (M), arranged at the sides.

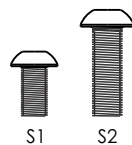
03 Once all metal rods are properly fixed in the furniture, turn it to be stand in a flat surface. Then, insert the base (A) between the metal rods, as shown in the diagram, and proceed its fixation using the provided screws(S1).

04 With the base (A) properly fixed, arrange the curved tops (B) above the base (A), carefully aligning it with the holes of the metal support. Then, fix the curved tops (B) in the metal rods using the provided screws (S1). When finished this step, proceed with the fixation of the curved tops (B) to the base (A), using the provided screws(S2);

04



PROVIDED SCREWS



WARNING!

FAILURE TO COMPLY WITH THESE INSTRUCTIONS MAY CAUSE ACCIDENTS AND LOSS OF PRODUCT WARRANTY.
THE TABLE MUST NOT BE USED AS A SUPPORT SURFACE TO CLIMB OR SIT IN

SAVE THESE INSTRUCTIONS FOR FUTURE REFERENCE.

Accord Home guarantees coverage against manufacturing defects including finishes, for a period of three months, under normal use from the date of purchase. For warranty service, please contact your local dealer for further instructions. Proof of date of purchase will be required for validation of warranty service.

The responsibility of the manufacturer regarding the product warranty is related to the correct observation of the instructions contained in this manual. The manufacturer is not responsible for any damage to the product caused by accidents, alterations of any kind, improper usage or improper installation. See the website for additional warranty details.

Accord Home reserves the right to change the dimensions and specifications contained in this manual without prior notice, in accordance with its policy of continuous product improvement. Please, contact the manufacturer if additional information is necessary. The illustrations in this manual are for guidance only and may vary in scale, dimensions and model details.

F1030

H05

ASSEMBLING, USE AND CONSERVATION
INSTRUCTIONS - USA & CANADA

COLLECTION: Cascade
APPLICATION: Buffet Table
DESCRIPTION: Accord Buffet Cascade
MATERIALS: Natural wood veneer, MDF, carbon steel.

Read carefully all the instructions for the removal of the package and for the correct assembling, use and application:

ASSEMBLING THE BUFFET TABLE

- 05 As described in the first step, the two metal rods (HF) previously fixated at the back and sides of the furniture are intended to enable the execution of the next step. Using the screws (S2), proceed with the fixation of the furniture in the metallic rods, following the corresponding diagram (A).

Your buffet table is ready to be used!

USER GUIDE

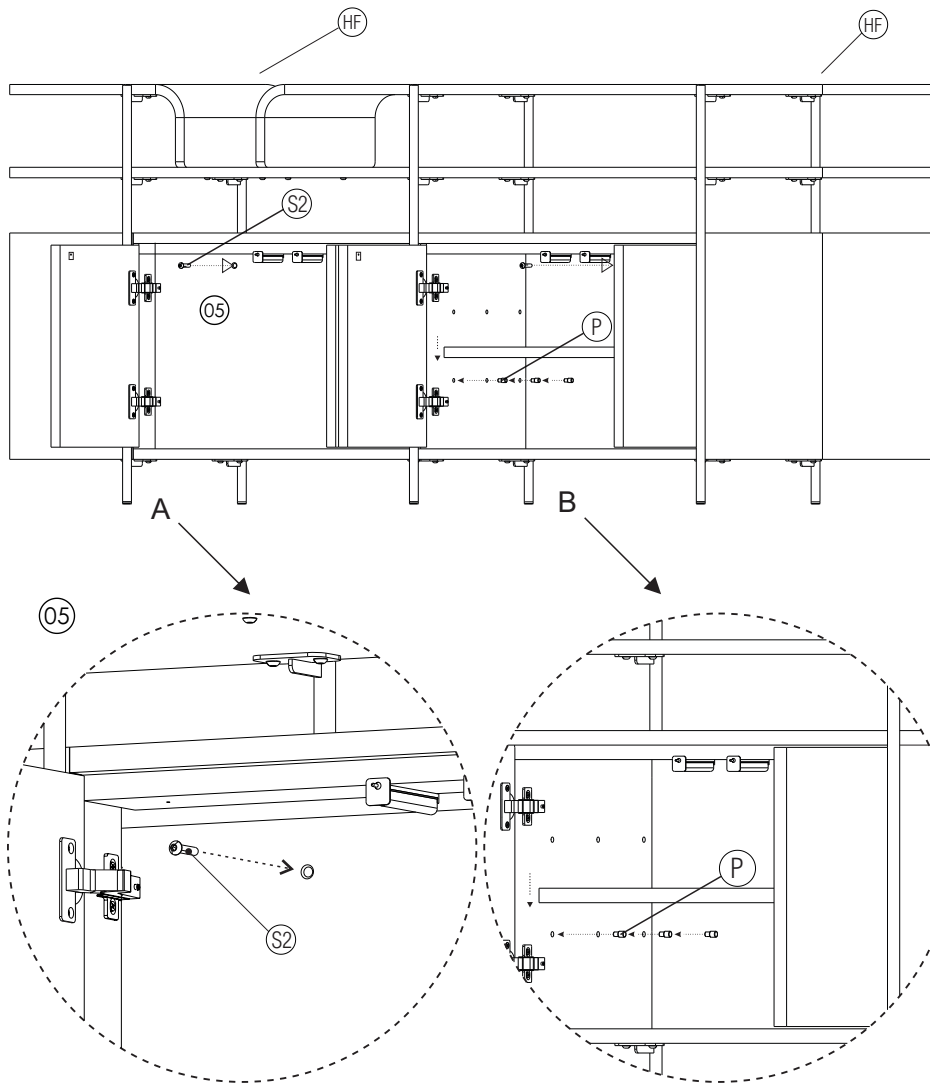
To open the door, gently press the front part of the door

Avoid placing glasses, bottles, and other containers that are to hot, cold or wet in the table, in order to avoid permanent stains on the natural wood veneer.

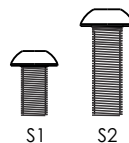
The table must be cleaned using only a cloth slightly moistened with water and neutral soap, avoiding any abrasive cleaning product.

SHELF REGULATION

Inside the furniture, there are two levels of height for shelf position. To make this adjustment, take out the shelf from the furniture and change the support pins (P) position, as shown in the diagram (B). After placing all the pins to it's position, place the shelf above them.



PROVIDED SCREWS



WARNING!

FAILURE TO COMPLY WITH THESE INSTRUCTIONS MAY CAUSE ACCIDENTS AND LOSS OF PRODUCT WARRANTY.

THE TABLE MUST NOT BE USED AS A SUPPORT SURFACE TO CLIMB OR SIT IN

SAVE THESE INSTRUCTIONS FOR FUTURE REFERENCE.

Accord Home guarantees coverage against manufacturing defects including finishes, for a period of three months, under normal use from the date of purchase. For warranty service, please contact your local dealer for further instructions. Proof of date of purchase will be required for validation of warranty service.

The responsibility of the manufacturer regarding the product warranty is related to the correct observation of the instructions contained in this manual. The manufacturer is not responsible for any damage to the product caused by accidents, alterations of any kind, improper usage or improper installation. See the website for additional warranty details.

Accord Home reserves the right to change the dimensions and specifications contained in this manual without prior notice, in accordance with its policy of continuous product improvement. Please, contact the manufacturer if additional information is necessary. The illustrations in this manual are for guidance only and may vary in scale, dimensions and model details.