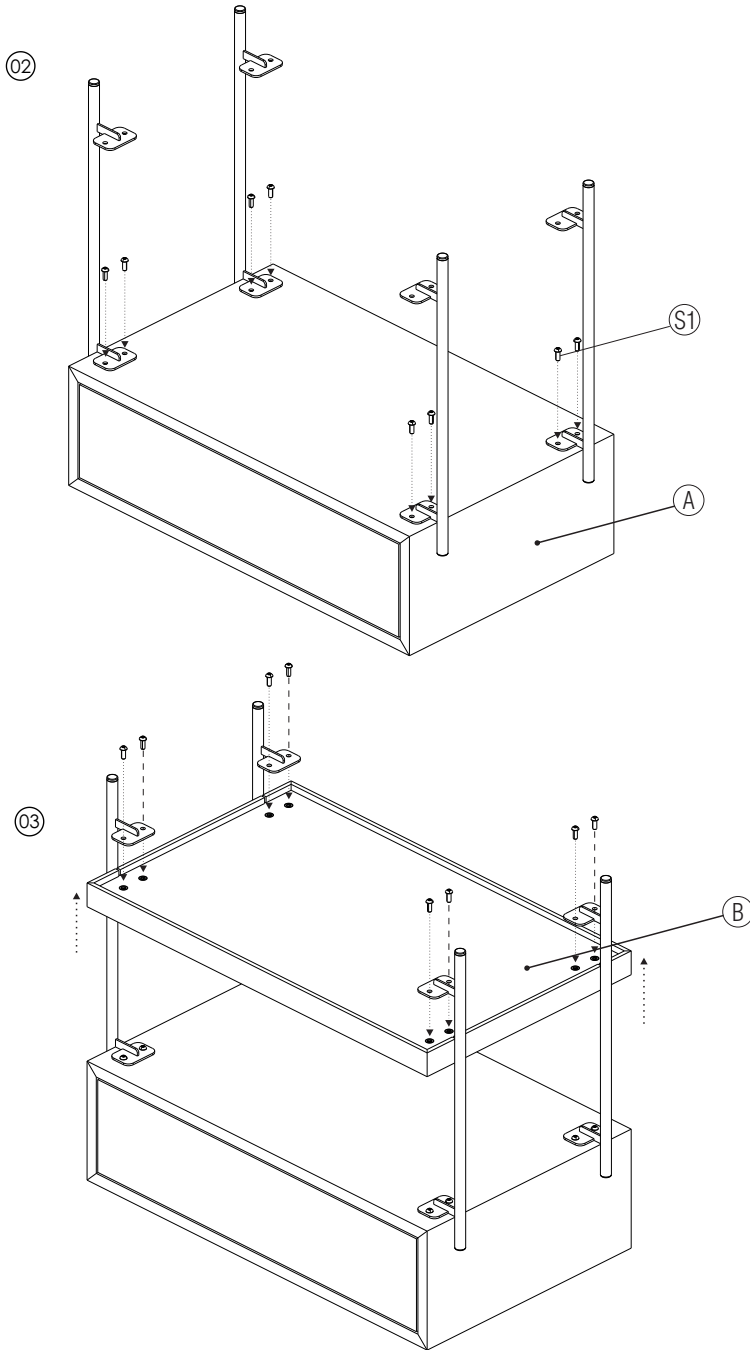


**F1027/F1028**

H03

ASSEMBLING, USE AND CONSERVATION  
INSTRUCTIONS - USA & CANADA



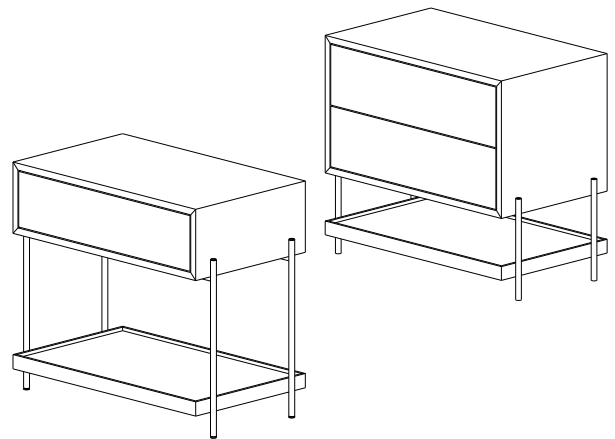
COLLECTION: Clean  
APPLICATION: Bedside Table  
DESCRIPTION: Accord Clean Bedside Table  
MATERIALS: Natural wood veneer, MDF, carbon steel.

Read carefully all the instructions for the removal of the package and for the correct assembling, use and application:

ASSEMBLING THE TABLE

- 01 Remove the protecting package taking care to not scratch or cut the product. Place the curved parts of the table in a flat and clean surface to avoid scratches in the natural wood during the assembling process.
- 02 With the lower holes of the niche facing upwards, proceed the assembling of the metal rods in the niche holes. To perform this operation, use the provided screws (S1) and 4mm allen wrench to secure the proper fixation of the metal rods in the furniture.
- 03 Next, insert the base (B) between the metallic rods and the existing cutout in the base, fix it with the screws (S1), following the instructions as shown in the diagram.
- 04 After all the processes carried out, arrange the table in the desired location.

Your table is ready for use!



PROVIDED SCREWS



S1

**WARNING!**

FAILURE TO COMPLY WITH THESE INSTRUCTIONS MAY CAUSE ACCIDENTS AND LOSS OF PRODUCT WARRANTY.  
THE TABLE MUST NOT BE USED AS A SUPPORT SURFACE TO CLIMB OR SIT IN



SAVE THESE INSTRUCTIONS FOR FUTURE REFERENCE.

Accord Home guarantees coverage against manufacturing defects including finishes, for a period of three months, under normal use from the date of purchase. For warranty service, please contact your local dealer for further instructions. Proof of date of purchase will be required for validation of warranty service.

The responsibility of the manufacturer regarding the product warranty is related to the correct observation of the instructions contained in this manual. The manufacturer is not responsible for any damage to the product caused by accidents, alterations of any kind, improper usage or improper installation. See the website for additional warranty details.

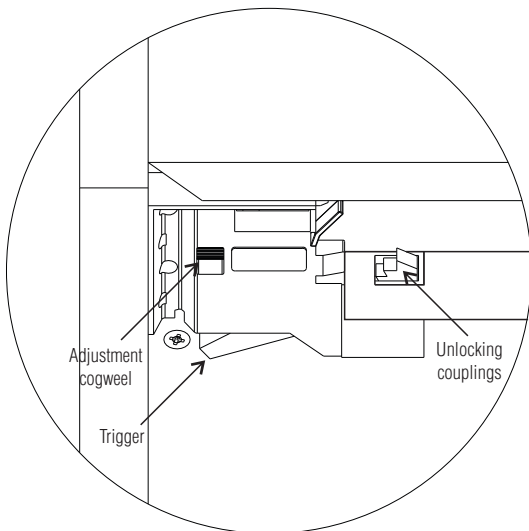
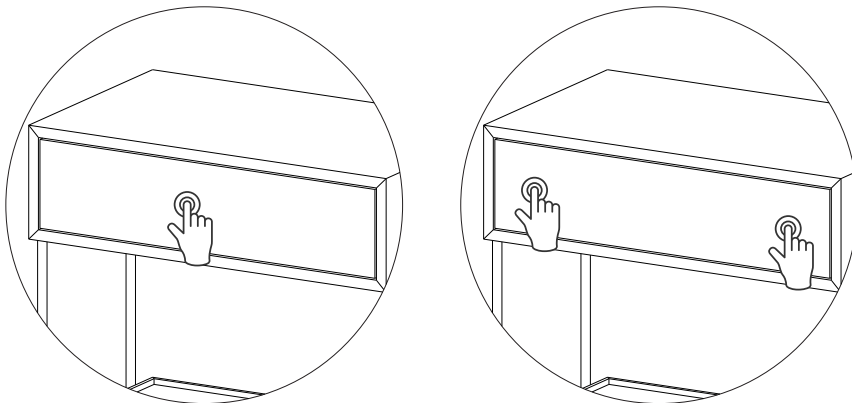
Accord Home reserves the right to change the dimensions and specifications contained in this manual without prior notice, in accordance with its policy of continuous product improvement. Please, contact the manufacturer if additional information is necessary. The illustrations in this manual are for guidance only and may vary in scale, dimensions and model details.

**F1027/F1028**

H03

**ASSEMBLING, USE AND CONSERVATION  
INSTRUCTIONS - USA & CANADA**

OPENING AND CLOSING DRAWERS



COLLECTION: Clean  
APPLICATION: Bedside Table  
DESCRIPTION: Accord Clean Bedside Table  
MATERIALS: Natural wood veneer, MDF, carbon steel.

Read carefully all the instructions for the removal of the package and for the correct assembling, use and application:

USER GUIDE

To open the drawer, gently push the front part of the drawer.

To properly close your drawer, is recommended to always close it pressing the center of the drawer or with both hands, each one in one of the sides of the drawer, making sure the furniture's slide properly lock. (As shown in the diagram).

Avoid placing glasses, bottles and other containers that are too hot, cold or wet on the table, in order to avoid permanent stains on the natural wood veneer.

The table must be cleaned using only a cloth slightly moistened with water and neutral soap, avoiding any abrasive cleaning product.

SLIDES REGULATION

In case of drawer desregulation, proceed as follows: Open the drawer and notice that, at the bottom, there is two plastic supports. You can find a cogwheel in each one of them, which you can roll to adjust the height. Turning them clockwise, the drawer will rise. Counter-clockwise, it will go down.

To remove the drawer out of the furniture, press both triggers located on the sides of the plastic support. With the triggers pressed, pull out the drawer, taking it out. To put back the drawer in the furniture, place it above the sliders and close it. It will make the plastic supports lock themselves to the sliders. Make sure that all couplings are properly locked.

**WARNING!**

FAILURE TO COMPLY WITH THESE INSTRUCTIONS MAY CAUSE ACCIDENTS AND LOSS OF PRODUCT WARRANTY.  
**THE TABLE MUST NOT BE USED AS A SUPPORT SURFACE TO CLIMB OR SIT IN**



PROVIDED SCREWS



S1

SAVE THESE INSTRUCTIONS FOR FUTURE REFERENCE.

Accord Home guarantees coverage against manufacturing defects including finishes, for a period of three months, under normal use from the date of purchase. For warranty service, please contact your local dealer for further instructions. Proof of date of purchase will be required for validation of warranty service.

The responsibility of the manufacturer regarding the product warranty is related to the correct observation of the instructions contained in this manual. The manufacturer is not responsible for any damage to the product caused by accidents, alterations of any kind, improper usage or improper installation. See the website for additional warranty details.

Accord Home reserves the right to change the dimensions and specifications contained in this manual without prior notice, in accordance with its policy of continuous product improvement. Please, contact the manufacturer if additional information is necessary. The illustrations in this manual are for guidance only and may vary in scale, dimensions and model details.