

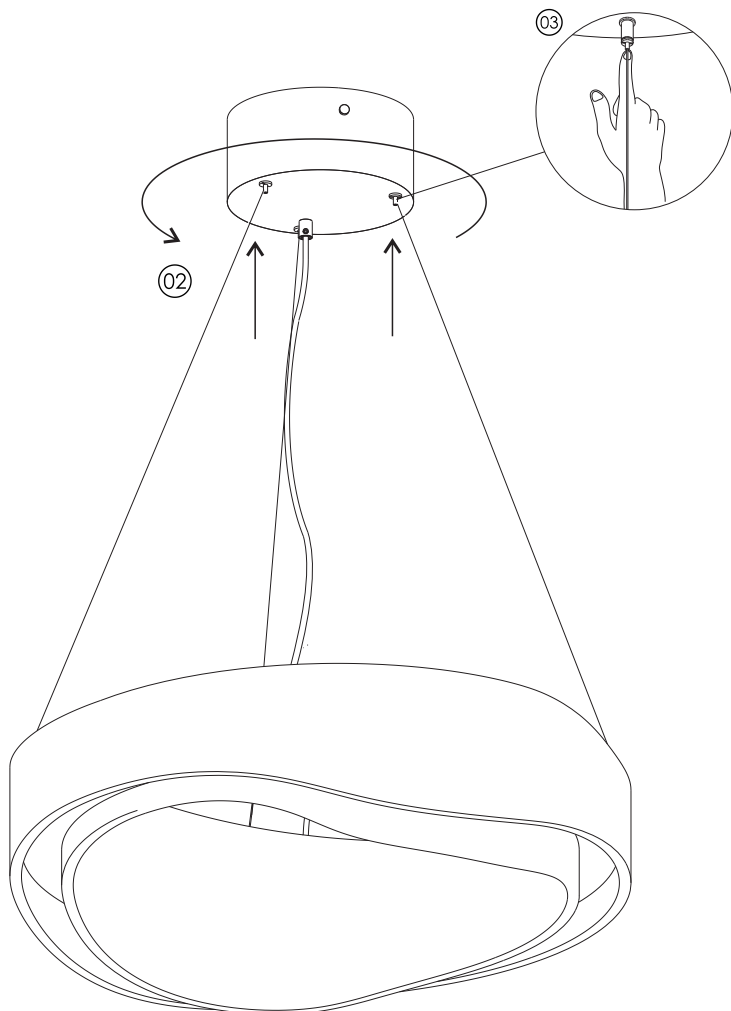


WARNING!

Be sure electrical power is OFF before and during installation or maintenance. The luminaire must be installed by a qualified electrician, in accordance with all applicable local codes.

Ensure that the rated luminaire voltage requirements are compatible with the available mains supply in which it will be installed. All LEDs are included in your lamp. Never touch the LED surface with your bare hands as this may reduce the life of your LED. Do not alter, relocate or remove any electrical component.

Ref.	Wattage
1415	15W
1437	18W
1316	23W
1317	25W
1318	29W
1319	32W
1320	36W
1349	23W
1350	27W
1351	29W
1352	32W
1353	36W
1354	21W
1355	29W
1356	35W
1357	42W
1358	58W
1359	69W
1430	15W
1431	18W
1432	22W
1433	25W
1434	29W
1435	32W
1436	36W
1449	21W
1450	28W
1451	35W
1467	44W
1468	58W
1469	73W



Input voltage: 120-277 V
 Input frequency: 60 Hz
 Isolation: Class II

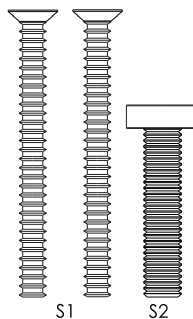
Material: Natural Wood Veneer, MDF, milky acrylic.

Turn OFF the electrical power before starting the installation, and keep it turned off until the installation is completed.

This assembly may require the work of two people so it can be secure and well executed.

- 01 Remove the protecting package from the pieces taking care to not harm any parts with cutting surfaces or objects. Lay the parts of the fixture on some horizontal surface in order to connect them, if needed use the protecting package to soften the surface and protect the parts from getting scratched or harmed.
- 02 Next, pass the steel cables through the cable anchors fixed on the canopy (C). The support cable excess must go inside the canopy.
- 03 Adjust the height and the level of the pendant by pressing the lower tip of the cable anchors, next, roll or cut the steel cable excess. If the steel cables are cut, notice that the height adjustment will be limited.

PROVIDED SCREWS



ATTENTION!

FAILURE TO COMPLY WITH THESE INSTRUCTIONS MAY CAUSE ACCIDENTS AND LOSS OF PRODUCT WARRANTY. Its recommended to read these instructions completely and carefully before proceeding.

SAVE THESE INSTRUCTIONS FOR FUTURE REFERENCE.

ACCORD Lighting guarantees coverage against manufacturing defects including electrical components and finishes, for a period of three years, under normal use, from the date of purchase. For warranty service, please contact your local dealer for further instructions. Proof of date of purchase will be required for validation of warranty service.

The responsibility of the manufacturer regarding the product warranty is related to the correct observation of the instructions contained in this manual. The manufacturer is not responsible for any damage to the product caused by accidents, alterations of any kind, improper usage or improper installation. See the website for additional warranty details.

ACCORD Lighting reserves the right to change the dimensions and specifications contained in this manual without prior notice, in accordance with its policy of continuous product improvement. Please, contact the manufacturer if additional information is necessary. The illustrations in this manual are for guidance only and may vary in scale, dimensions and model details.

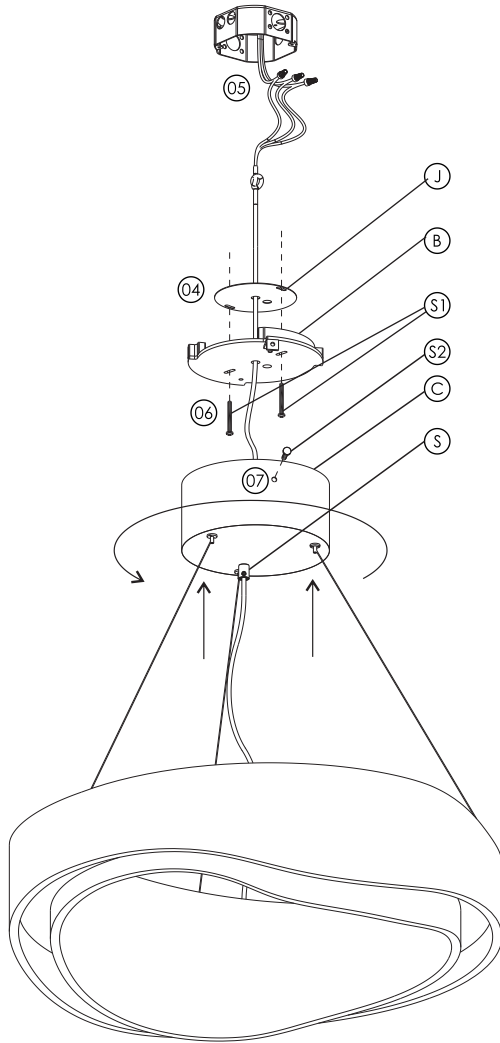


WARNING!

Be sure electrical power is OFF before and during installation or maintenance.
The luminaire must be installed by a qualified electrician, in accordance with all applicable local codes.

Ensure that the rated luminaire voltage requirements are compatible with the available mains supply in which it will be installed.
All LEDs are included in your lamp. Never touch the LED surface with your bare hands as this may reduce the life of your LED.
Do not alter, relocate or remove any electrical component.

Ref.	Wattage
1415	15W
1437	18W
1316	23W
1317	25W
1318	29W
1319	32W
1320	36W
1349	23W
1350	27W
1351	29W
1352	32W
1353	36W
1354	21W
1355	29W
1356	35W
1357	42W
1358	58W
1359	69W
1430	15W
1431	18W
1432	22W
1433	25W
1434	29W
1435	32W
1436	36W
1449	21W
1450	28W
1451	35W
1467	44W
1468	58W
1469	73W



Input voltage: 120-277 V
Input frequency: 60 Hz
Isolation: Class II

Material: Natural Wood Veneer, MDF, milky acrylic.

MAKING ELECTRICAL CONNECTIONS

- 04 Insert the cable coming from the pendant into the canopy through the strain relief (S), adjust the appropriate height and tighten the screw on the strain relief to anchor the cable.

The cable from the pendant that enters the canopy has two internal wires, BLACK and WHITE.

The BLACK wire from the cable corresponds to the Positive terminal of the LED, and must be connected to the Positive wire coming from the driver, the RED wire.

The WHITE wire from the cable corresponds to the Negative terminal of the LED, and must be connected to the Negative wire coming from the driver, the BLUE (or BLACK) wire.

I - Connect the Positive wire from the single cable (Black), to the Positive wire from the Driver (Red), using the marked (+) Wago connector.

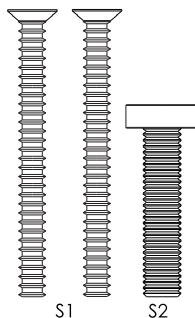
II - Connect the Negative wire from the single cable (White), to the Negative wire from the Driver (Blue or Black), using the marked (-) Wago connector.

- 05 Using the white flat 3 core cable that exits the driver's enclosure, make the electrical connections to the mains supply, in accordance with all safety standards and local electrical codes. This product must be installed in accordance with the applicable installation code by a person familiar with the construction and operation of the product, and the hazards involved.

- 06 Screw the junction box cover (J) and structural base (B) in the junction box using the provided screws (S1).

- 07 Once the structural base (B) is fixed in the ceiling, insert the excess energy cable in the junction box and fit the canopy (C) in the structural base, pushing it against the ceiling and rotating it until it locks. Fasten the provided screw (S2) to secure it.

PROVIDED SCREWS



Turn on the electrical power.

The luminaire is ready for use.



ATTENTION!

FAILURE TO COMPLY WITH THESE INSTRUCTIONS MAY CAUSE ACCIDENTS AND LOSS OF PRODUCT WARRANTY.
It is recommended to read these instructions completely and carefully before proceeding.

SAVE THESE INSTRUCTIONS FOR FUTURE REFERENCE.

ACCORD Lighting guarantees coverage against manufacturing defects including electrical components and finishes, for a period of three years, under normal use, from the date of purchase. For warranty service, please contact your local dealer for further instructions. Proof of date of purchase will be required for validation of warranty service.

The responsibility of the manufacturer regarding the product warranty is related to the correct observation of the instructions contained in this manual. The manufacturer is not responsible for any damage to the product caused by accidents, alterations of any kind, improper usage or improper installation. See the website for additional warranty details.

ACCORD Lighting reserves the right to change the dimensions and specifications contained in this manual without prior notice, in accordance with its policy of continuous product improvement. Please, contact the manufacturer if additional information is necessary. The illustrations in this manual are for guidance only and may vary in scale, dimensions and model details.