

WARNING!



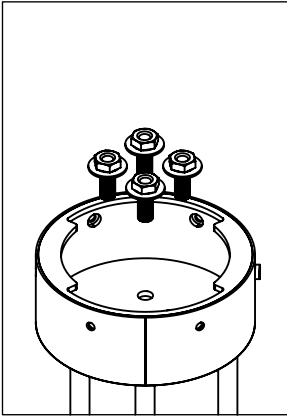
Be sure electrical power is OFF before and during installation or maintenance.
The luminaire must be installed by a qualified electrician, in accordance with all applicable local codes.

Ensure that the rated luminaire voltage requirements are compatible with the available mains supply in which it will be installed.
All LEDs are included in your lamp. Never touch the LED surface with your bare hands as this may reduce the life of your LED.
Do not alter, relocate or remove any electrical component.

Line: Dot
Family: Pendant
Description: Pendant Accord Dot 1420

Material: Natural Wood Veneer MDF and Carbon steel
Weight:

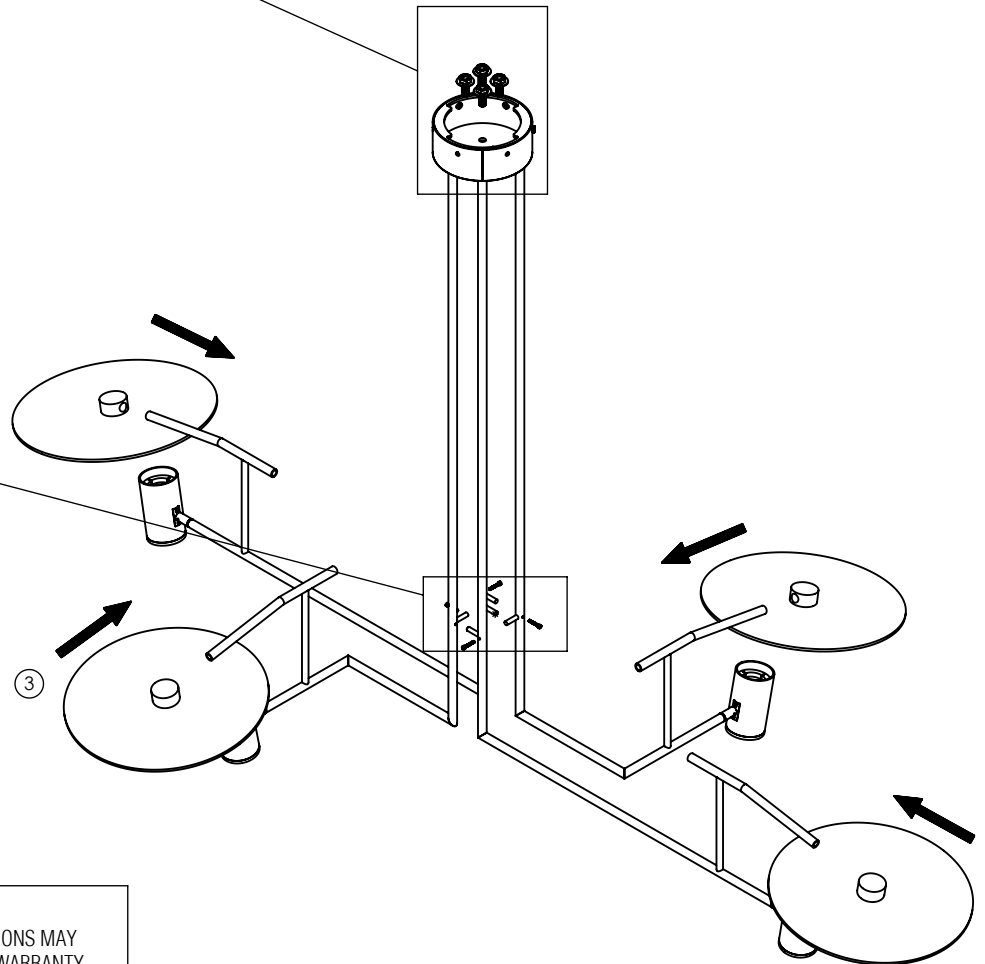
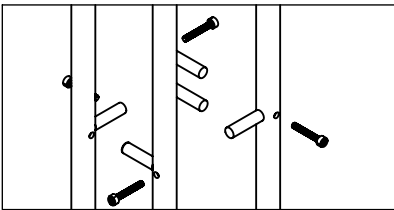
②



ASSEMBLING THE FIXTURE

- ① Assemble together all of the 4 metallic rods using the supplied screws.
- ② Attach the 4 metallic rods to the canopy, using the supplied screws.
- ③ Assemble the reflector disks to the metallic rods.

①



ATTENTION!



FAILURE TO COMPLY WITH THESE INSTRUCTIONS MAY CAUSE ACCIDENTS AND LOSS OF PRODUCT WARRANTY.
It's recommended to read these instructions completely and carefully before proceeding.


SAVE THESE INSTRUCTIONS FOR FUTURE REFERENCE.

ACCORD Lighting guarantees coverage against manufacturing defects including electrical components and finishes, for a period of three years, under normal use, from the date of purchase. For warranty service, please contact your local dealer for further instructions. Proof of date of purchase will be required for validation of warranty service.

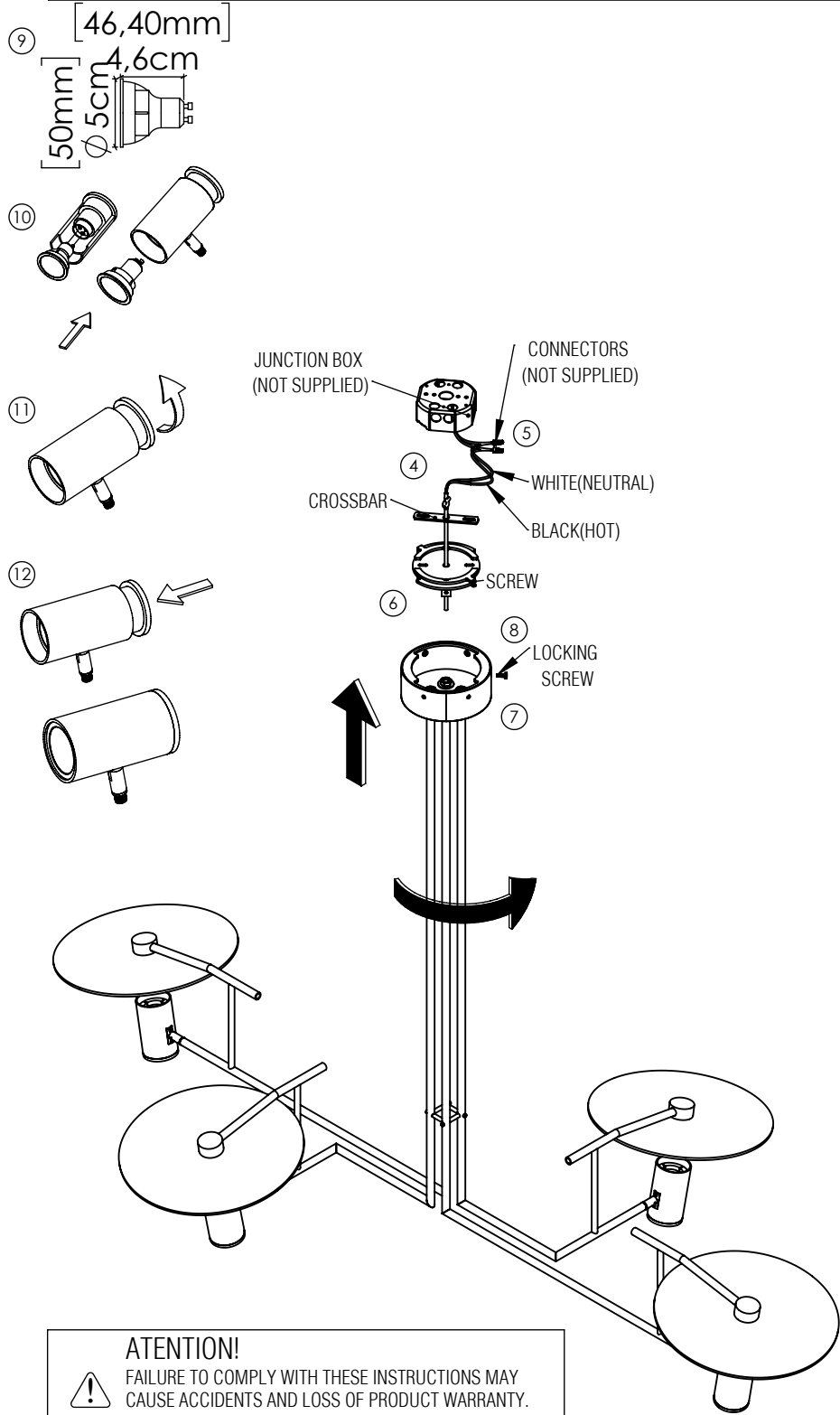
The responsibility of the manufacturer regarding the product warranty is related to the correct observation of the instructions contained in this manual. The manufacturer is not responsible for any damage to the product caused by accidents, alterations of any kind, improper usage or improper installation. See the website for additional warranty details.

ACCORD Lighting reserves the right to change the dimensions and specifications contained in this manual without prior notice, in accordance with its policy of continuous product improvement. Please, contact the manufacturer if additional information is necessary. The illustrations in this manual are for guidance only and may vary in scale, dimensions and model details.

WARNING!

 Be sure electrical power is OFF before and during installation or maintenance. The luminaire must be installed by a qualified electrician, in accordance with all applicable local codes.

Ensure that the rated luminaire voltage requirements are compatible with the available mains supply in which it will be installed. All LEDs are included in your lamp. Never touch the LED surface with your bare hands as this may reduce the life of your LED. Do not alter, relocate or remove any electrical component.



Line: Dot
Family: Pendant
Description: Pendant Accord Dot 1420

Material: Natural Wood Veneer MDF and Carbon Steel
Weight:
Remove carefully all the parts from the box with protecting package.

MAKING ELECTRICAL CONNECTIONS

Turn OFF electrical power before beginning the installation process.

- ④ Insert the electrical cable through the support base and crossbar.
- ⑤ Connect the electrical supply wires to the junction box in accordance to all applicable local codes, as shown in the diagram.

MOUNTING ON THE FIXTURE


- ⑥ After electrical connections are made, place excess wire inside of the canopy and attach the support base and the crossbar to the junction box using the supplied screws.
- ⑦ Raise the luminaire until the canopy fits in the support base and rotate the luminaire in the indicated way until it brakes.
- ⑧ Fasten the locking screw in the indicated hole to stabilize the luminaire, preventing it to rotate.

INSTALLING THE BULB

- ⑨ Purchase a GU-10 bulb following the indicated dimensions.
- ⑩ Align the contact tips of the bulb with the socket holes and push the bulb so that the socket support base undock.
- ⑪ Rotate the socket support base in the indicated way, holding the bulb so that it fits in the socket.
- ⑫ After the bulb is already connected to the socket, push the socket support base fitting it to the luminaire. With the socket support base docked to the luminaire, the bulb installation is finished.

Turn ON the electrical power.
Your luminaire is now ready for use.

ATTENTION!

 FAILURE TO COMPLY WITH THESE INSTRUCTIONS MAY CAUSE ACCIDENTS AND LOSS OF PRODUCT WARRANTY. Its recommended to read these instructions completely and carefully before proceeding.

SAVE THESE INSTRUCTIONS FOR FUTURE REFERENCE.

ACCORD Lighting guarantees coverage against manufacturing defects including electrical components and finishes, for a period of three years, under normal use, from the date of purchase. For warranty service, please contact your local dealer for further instructions. Proof of date of purchase will be required for validation of warranty service.

The responsibility of the manufacturer regarding the product warranty is related to the correct observation of the instructions contained in this manual. The manufacturer is not responsible for any damage to the product caused by accidents, alterations of any kind, improper usage or improper installation. See the website for additional warranty details.

ACCORD Lighting reserves the right to change the dimensions and specifications contained in this manual without prior notice, in accordance with its policy of continuous product improvement. Please, contact the manufacturer if additional information is necessary. The illustrations in this manual are for guidance only and may vary in scale, dimensions and model details.