

GU-10

WARNING!



Be sure electrical power is OFF before and during installation or maintenance.
The luminaire must be installed by a qualified electrician, in accordance with all applicable local codes.

Ensure that the rated luminaire voltage requirements are compatible with the available mains supply in which it will be installed.
All LEDs are included in your lamp. Never touch the LED surface with your bare hands as this may reduce the life of your LED.
Do not alter, relocate or remove any electrical component.

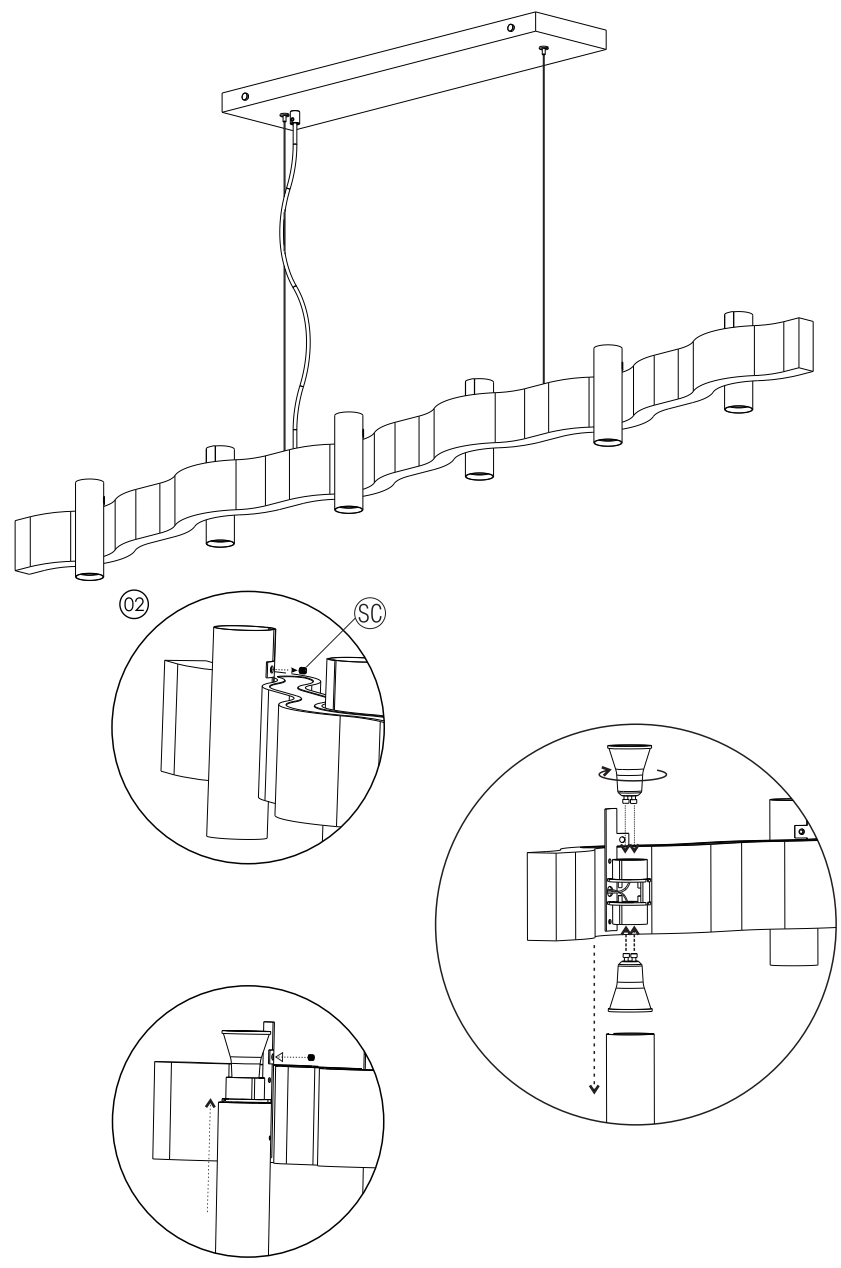
Line: FLOW
Family: PENDANT
Description: FLOW ACCORD PENDANT

Material: Natural Wood Venner, MDF and carbon steel.

Read carefully all the Assembly Instructions below, before starting the installation process.

Turn OFF the power before starting the installation.

- ① Remove the protective package taking care to not damage, cut or scratch the product with blades or other accessories. Lay the fixture on a horizontal surface in order to install the bulbs, if needed use the protecting package to soften the surface and protect the parts from getting scratched or harmed.
- ② This luminaire uses GU10-MR11 light bulbs as light source, with a maximum recommended wattage of 8W. To install the bulbs, release the little screw (SC) at the top of the steel tubes by using an Allen wrench. Carefully slide the tube down. Insert the bulbs on the available sockets. Then, slide the tube back in, and lock it in place with the Allen screw, making sure the installation is well secured.
- ③ Repeat this process to all the tubes on the luminaire.



ATTENTION!
FAILURE TO COMPLY WITH THESE INSTRUCTIONS MAY CAUSE ACCIDENTS AND LOSS OF PRODUCT WARRANTY.
It's recommended to read these instructions completely and carefully before proceeding.

PROVIDED SCREW



SAVE THESE INSTRUCTIONS FOR FUTURE REFERENCE.

ACCORD Lighting guarantees coverage against manufacturing defects including electrical components and finishes, for a period of three years, under normal use, from the date of purchase. For warranty service, please contact your local dealer for further instructions. Proof of date of purchase will be required for validation of warranty service.

The responsibility of the manufacturer regarding the product warranty is related to the correct observation of the instructions contained in this manual. The manufacturer is not responsible for any damage to the product caused by accidents, alterations of any kind, improper usage or improper installation. See the website for additional warranty details.

ACCORD Lighting reserves the right to change the dimensions and specifications contained in this manual without prior notice, in accordance with its policy of continuous product improvement. Please, contact the manufacturer if additional information is necessary. The illustrations in this manual are for guidance only and may vary in scale, dimensions and model details.

GU-10

WARNING!



Be sure electrical power is OFF before and during installation or maintenance. The luminaire must be installed by a qualified electrician, in accordance with all applicable local codes.

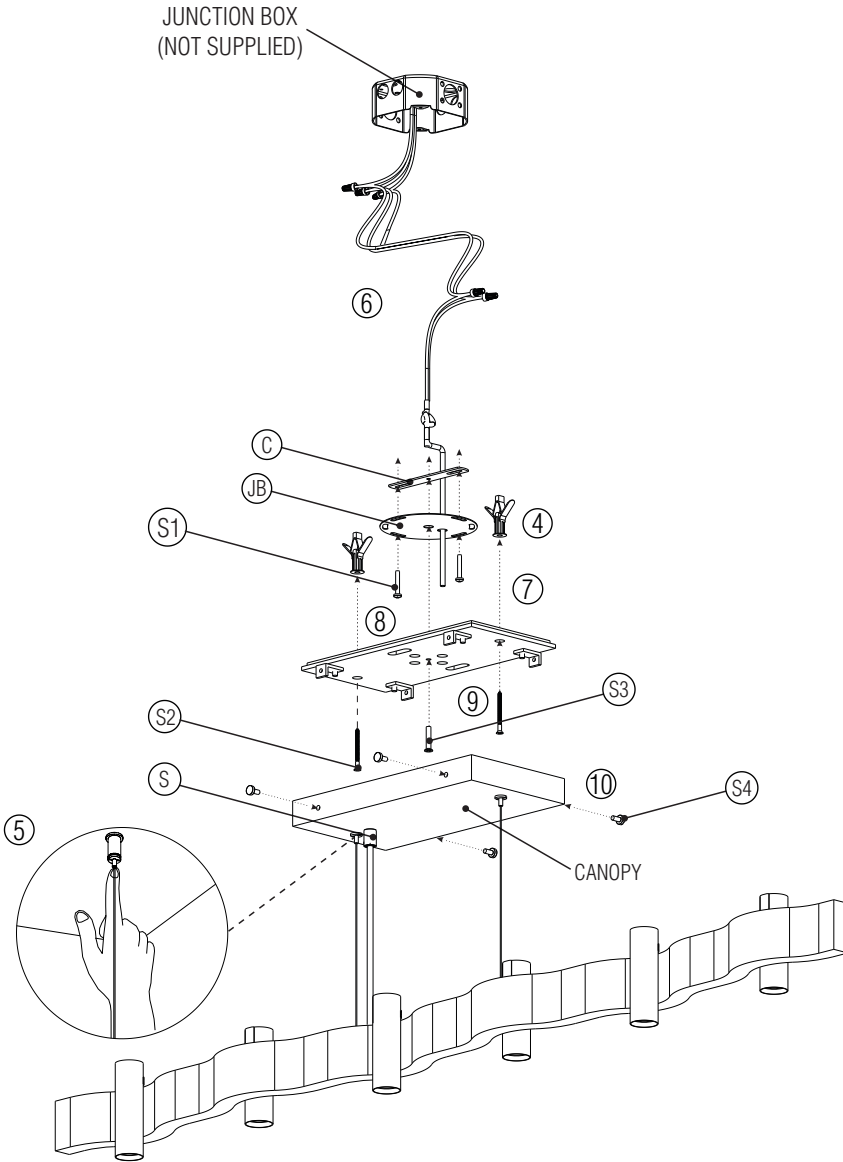
Ensure that the rated luminaire voltage requirements are compatible with the available mains supply in which it will be installed. All LEDs are included in your lamp. Never touch the LED surface with your bare hands as this may reduce the life of your LED. Do not alter, relocate or remove any electrical component.

Line: FLOW
Family: PENDANT
Description: FLOW ACCORD PENDANT

Material: Natural Wood Venner, MDF and carbon steel.

Read carefully all the Assembly Instructions below, before starting the installation process.

Turn OFF the power before starting the installation.



- ④ Use the support base as template to drill on the ceiling the holes needed for support. Use an 8mm drill, and insert the provided bushings on the holes.
- ⑤ Pass the support cables through the cable anchors at the canopy, adjusting the desired height for the pendant to be suspended. To adjust the height, press the tip of the cable anchor while sliding the cable in. Release the cable anchor tip, and the suspension cable will be locked.
- ⑥ Reserve the cable excess by wrapping it inside the canopy, ensuring that it does not touch any electrical connections, or simply cut the excess off.
- ⑦ Pass the power cable through the strain relief (S) on the canopy and junction box cover (JB) and the mounting crossbar (C), at the desired suspension height. Connect the electrical supply wires to the mains supply at the junction box in accordance with all the applicable codes. This product must be installed in accordance with the applicable installation code by a person familiar with the construction and operation of the product, and the hazards involved.
- ⑧ Attach the mounting crossbar and junction box cover to the junction box using the supplied screws (S1).
- ⑨ Use the screw on the center of the support base (S3), to fix it to the previously installed crossbar. Also, use the (S2) screws to fixate the support base on the previously installed bushings.
- ⑩ Bring the canopy close to the support base, and tighten the finishing screws (S4) on the sides of the canopy, to lock the canopy to the support base. Then, tighten the plastic screw on the strain relief to anchor the power cable.

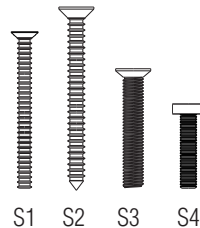
USER GUIDE

If you do not wish to install all the bulbs on the luminaire, use the provided covers to close the tubes that not contain a lamp.

Turn ON the electrical power.

Your luminaire is now ready for use.

PARAFUSOS FORNECIDOS



ATTENTION!



FAILURE TO COMPLY WITH THESE INSTRUCTIONS MAY CAUSE ACCIDENTS AND LOSS OF PRODUCT WARRANTY. Its recommended to read these instructions completely and carefully before proceeding.

SAVE THESE INSTRUCTIONS FOR FUTURE REFERENCE.

ACCORD Lighting guarantees coverage against manufacturing defects including electrical components and finishes, for a period of three years, under normal use, from the date of purchase. For warranty service, please contact your local dealer for further instructions. Proof of date of purchase will be required for validation of warranty service.

The responsibility of the manufacturer regarding the product warranty is related to the correct observation of the instructions contained in this manual. The manufacturer is not responsible for any damage to the product caused by accidents, alterations of any kind, improper usage or improper installation. See the website for additional warranty details.

ACCORD Lighting reserves the right to change the dimensions and specifications contained in this manual without prior notice, in accordance with its policy of continuous product improvement. Please, contact the manufacturer if additional information is necessary. The illustrations in this manual are for guidance only and may vary in scale, dimensions and model details.