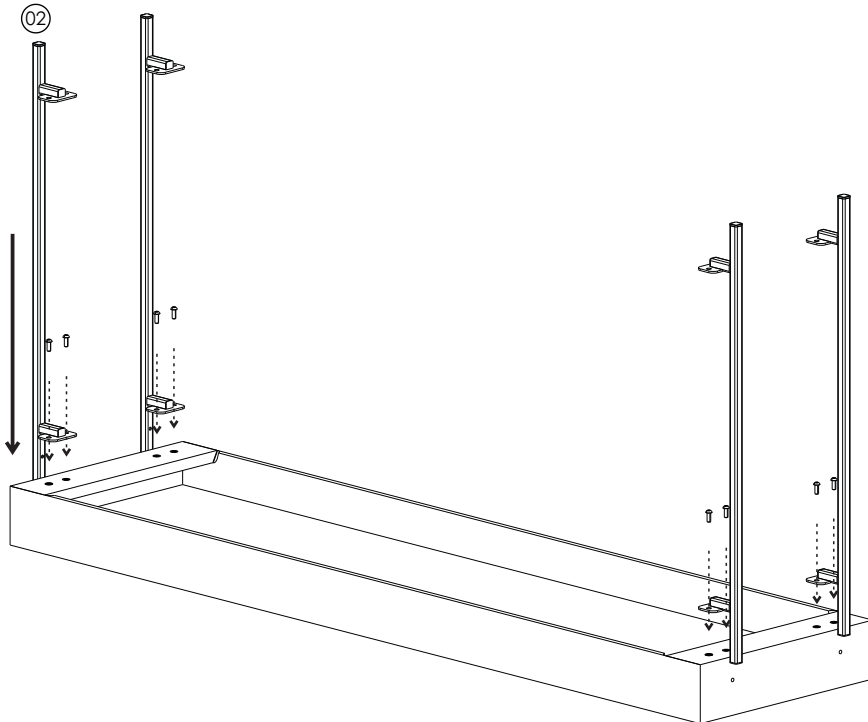


**F1040**

H10

ASSEMBLING, USE AND CONSERVATION  
INSTRUCTIONS - USA & CANADA

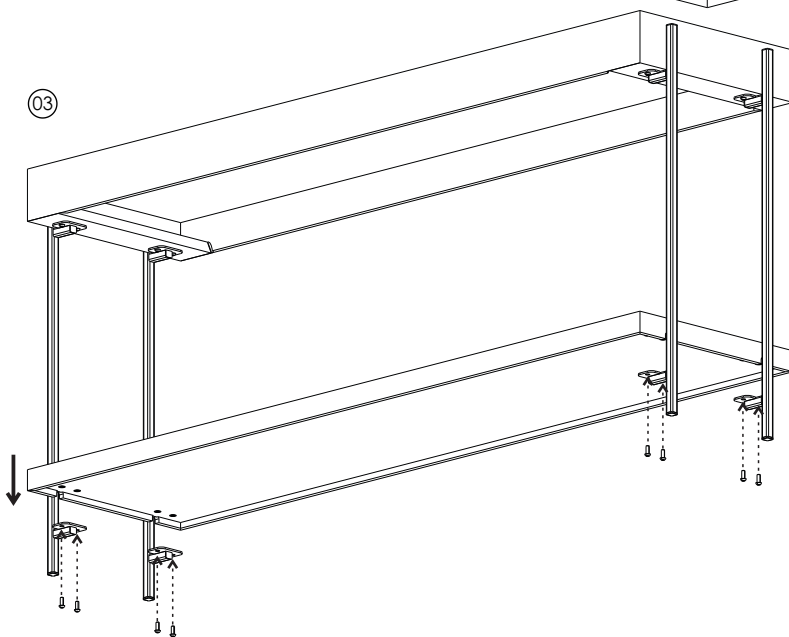


COLLECTION: Clean  
APPLICATION: Console Table  
DESCRIPTION: Accord Console Table F1040  
MATERIALS: Natural wood veneer, MDF, carbon steel.

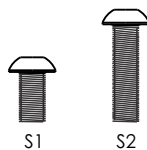
Read carefully all the instructions for the removal of the package and for the correct assembling, use and application:

ASSEMBLING THE TABLE

- ① Remove the protecting package taking care to not scratch or cut the product. Place the top parts of the console in a flat and clean surface to avoid scratches in the natural wood during the assembling process.
- ② Insert the console legs on the top surface, by positioning the metal support holes on the holes at the wooden surface. Use the S1 screws to fixate the supports in the console. Repeat this process for all 4 legs.
- ③ After the fixation of all 4 legs, rotate the console to its natural use position, as shown. Insert the bottom base between the console's legs, as shown on the picture. Then, use S1 screws to join the wooden base and the console legs.



PROVIDED SCREWS



S1

S2

**WARNING!**

FAILURE TO COMPLY WITH THESE INSTRUCTIONS MAY CAUSE ACCIDENTS AND LOSS OF PRODUCT WARRANTY.  
THE TABLE MUST NOT BE USED AS A SUPPORT SURFACE TO CLIMB OR SIT IN



SAVE THESE INSTRUCTIONS FOR FUTURE REFERENCE.

Accord Home guarantees coverage against manufacturing defects including finishes, for a period of three months, under normal use from the date of purchase. For warranty service, please contact your local dealer for further instructions. Proof of date of purchase will be required for validation of warranty service.

The responsibility of the manufacturer regarding the product warranty is related to the correct observation of the instructions contained in this manual. The manufacturer is not responsible for any damage to the product caused by accidents, alterations of any kind, improper usage or improper installation. See the website for additional warranty details.

Accord Home reserves the right to change the dimensions and specifications contained in this manual without prior notice, in accordance with its policy of continuous product improvement. Please, contact the manufacturer if additional information is necessary. The illustrations in this manual are for guidance only and may vary in scale, dimensions and model details.

**F1031**

H10

ASSEMBLING, USE AND CONSERVATION  
INSTRUCTIONS - USA & CANADA

COLLECTION: Clean  
APPLICATION: Console Table  
DESCRIPTION: Accord Console Table F1040  
MATERIALS: Natural wood veneer, MDF, carbon steel.

Read carefully all the instructions for the removal of the package and for the correct assembling, use and application:

ASSEMBLING THE TABLE

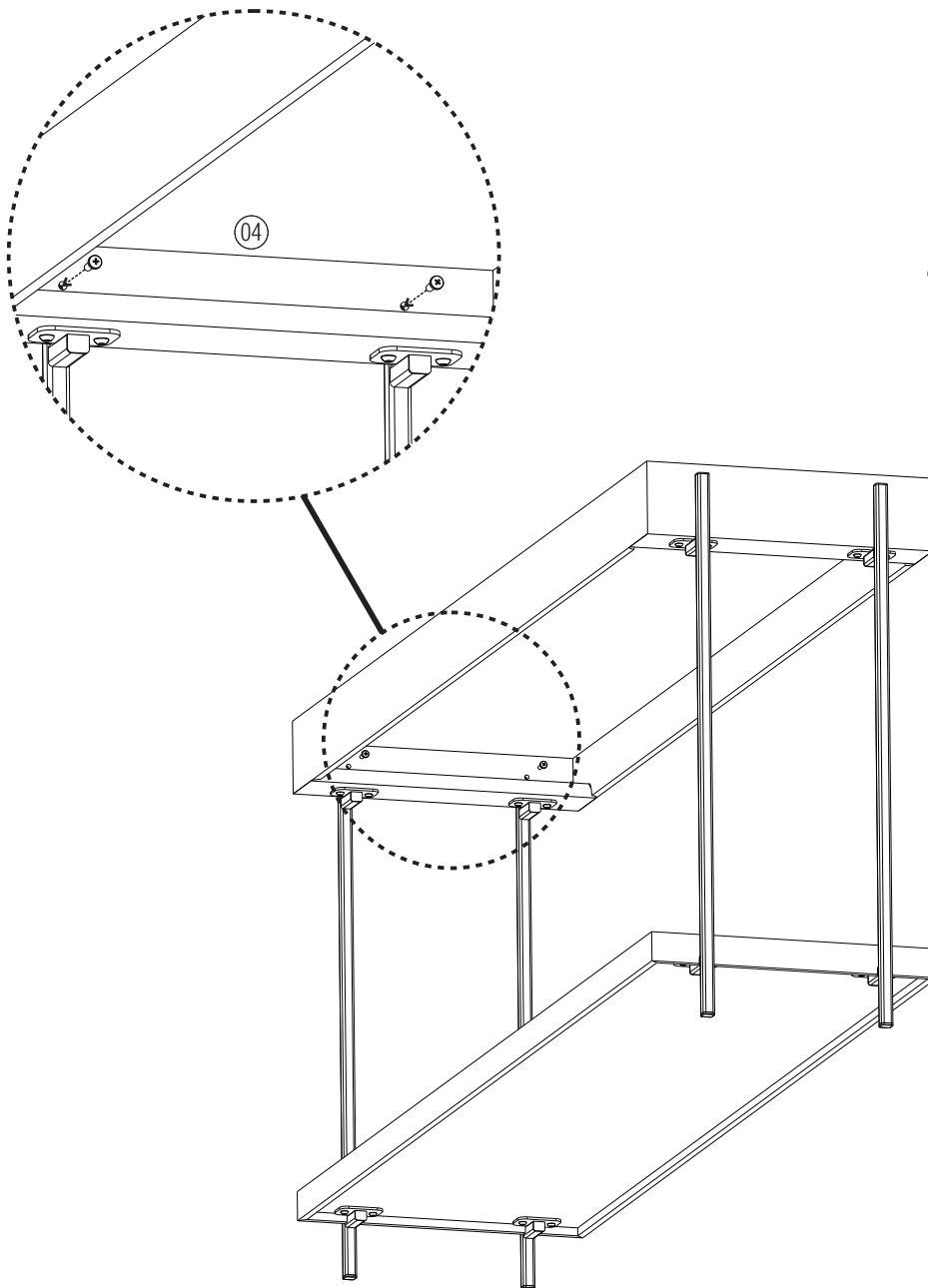
- ④ Please note that on the interior sides, there are two holes, as shown in the diagram. Use the P2 screws to secure the top part of the sideboard to the rods. Repeat the process on the other side of the furniture.

Your table is now ready for use!

USER GUIDE

Avoid placing glasses, bottles and other containers that are too hot, cold or wet on the table, in order to avoid permanent stains on the natural wood veneer.

The table must be cleaned using only a cloth slightly moistened with water and neutral soap, avoiding any abrasive cleaning product.

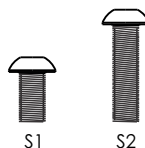


**WARNING!**

FAILURE TO COMPLY WITH THESE INSTRUCTIONS MAY CAUSE ACCIDENTS AND LOSS OF PRODUCT WARRANTY.  
THE TABLE MUST NOT BE USED AS A SUPPORT SURFACE TO CLIMB OR SIT IN



PROVIDED SCREWS



SAVE THESE INSTRUCTIONS FOR FUTURE REFERENCE.

Accord Home guarantees coverage against manufacturing defects including finishes, for a period of three months, under normal use from the date of purchase. For warranty service, please contact your local dealer for further instructions. Proof of date of purchase will be required for validation of warranty service.

The responsibility of the manufacturer regarding the product warranty is related to the correct observation of the instructions contained in this manual. The manufacturer is not responsible for any damage to the product caused by accidents, alterations of any kind, improper usage or improper installation. See the website for additional warranty details.

Accord Home reserves the right to change the dimensions and specifications contained in this manual without prior notice, in accordance with its policy of continuous product improvement. Please, contact the manufacturer if additional information is necessary. The illustrations in this manual are for guidance only and may vary in scale, dimensions and model details.