

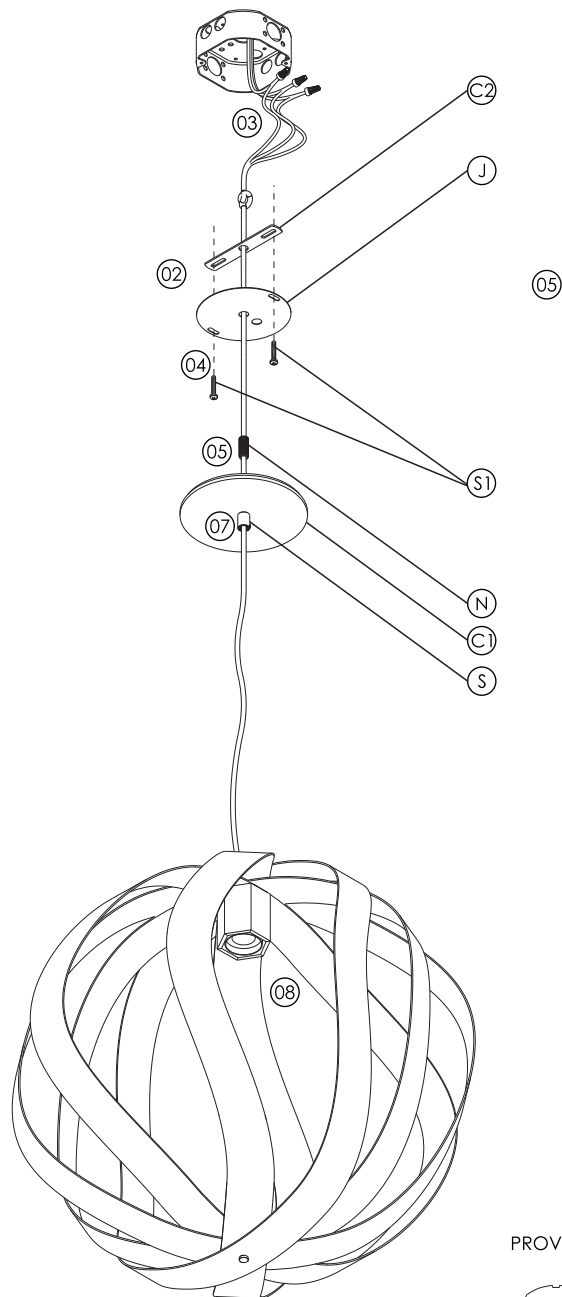


WARNING!

Be sure electrical power is OFF before and during installation or maintenance. The luminaire must be installed by a qualified electrician, in accordance with all applicable local codes.

Ensure that the rated luminaire voltage requirements are compatible with the available mains supply in which it will be installed. All LEDs are included in your lamp. Never touch the LED surface with your bare hands as this may reduce the life of your LED. Do not alter, relocate or remove any electrical component.

Ref.	Ligh bulb
116	1x E-26
269	1x E-26
303	1x E-26
304	1x E-26
1134	1x E-26
1140	1x E-26
1141	1x E-26
1100	1x E-26
1151	1x E-26
1153	1x E-26
1180	1x E-26
1181	1x E-26
1182	1x E-26
1183	1x E-26
1217	1x E-26
1231	1x E-26
1233	1x E-26
1236	1x E-26
1237	1x E-26
1239	1x E-26
1240	1x E-26
1241	1x E-26
1242	1x E-26
1243	1x E-26
1244	1x E-26
1250	1x E-26
1276	1x E-26
1277	1x E-26
1280	1x E-26
1283	1x E-26
1299	1x E-26
1310	1x E-26
1036	1x E-26
1309	1x E-26
1363	1x E-26
1287	1x E-26
1426	1x E-26
1427	1x E-26
1479	1x E-26
1480	1x E-26
1473	1x E-26
1474	1x E-26
1475	1x E-26
1476	1x E-26
1477	1x E-26
1478	1x E-26
1481	1x E-26
1482	1x E-26
1483	1x E-26
1484	1x E-26
1485	1x E-26
1486	1x E-26
1487	1x E-26
1488	1x E-26
1490	1x E-26
1493	1x E-26
1494	1x E-26
1495	1x E-26
1496	1x E-26
1509	1x E-26



Input Voltage: 120V - 240 V
Input Frequency: 60 Hz

Material: Natural Wood Veneer and MDF
Weight:

Read carefully all the assembling instructions below and turn OFF energy power before starting the installation.

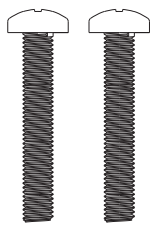
01 Remove the protecting package from the pieces taking care to not harm any parts with cutting surfaces or objects. Lay the parts of the fixture on some horizontal surface in order to connect them, if needed use the protecting package to soften the surface and protect the parts from getting scratched or harmed.

MAKING ELECTRICAL CONNECTIONS

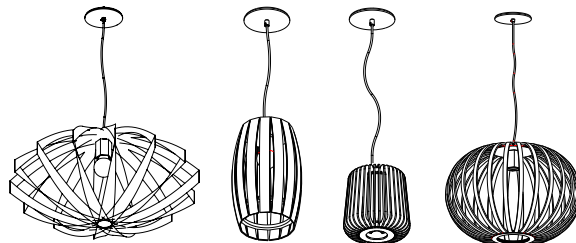
- 02 Pass the energy cable through the strain relief (S) fixed in the canopy (C1), through the nipple (N), junction box cover (J) and crossbar (C2).
- 03 Make the electrical connections in accordance with all applicable local codes. This product must be installed in accordance with the applicable installation code by a person familiar with the construction and operation of the product, and the hazards involved.
- 04 Screw the crossbar (C2) and junction box cover (J) in the junction box using the provided screws (S1).
- 05 Once the crossbar and junction box cover are fixed in the ceiling, screw the nipple (N) on it and insert the excess energy cable into the junction box through the strain relief (S).
- 06 Once the nipple is fixed on the junction box, screw the strain relief (S) on the nipple until the canopy is fixed and tight against the ceiling.
- 07 Adjust the height of the pendant and fasten the strain relief screw to lock the energy cable.
- 08 Install an UL Listed E-26 lightbulb (not included) taking care to not exceed the recommended wattage rating of 25W.

Turn on the energy power, your luminaire is ready for use.

PROVIDED SCREWS



S1



ATTENTION!

FAILURE TO COMPLY WITH THESE INSTRUCTIONS MAY CAUSE ACCIDENTS AND LOSS OF PRODUCT WARRANTY. Its recommended to read these instructions completely and carefully before proceeding.

SAVE THESE INSTRUCTIONS FOR FUTURE REFERENCE.

ACCORD Lighting guarantees coverage against manufacturing defects including electrical components and finishes, for a period of three years, under normal use, from the date of purchase. For warranty service, please contact your local dealer for further instructions. Proof of date of purchase will be required for validation of warranty service.

The responsibility of the manufacturer regarding the product warranty is related to the correct observation of the instructions contained in this manual. The manufacturer is not responsible for any damage to the product caused by accidents, alterations of any kind, improper usage or improper installation. See the website for additional warranty details.

ACCORD Lighting reserves the right to change the dimensions and specifications contained in this manual without prior notice, in accordance with its policy of continuous product improvement. Please, contact the manufacturer if additional information is necessary. The illustrations in this manual are for guidance only and may vary in scale, dimensions and model details.

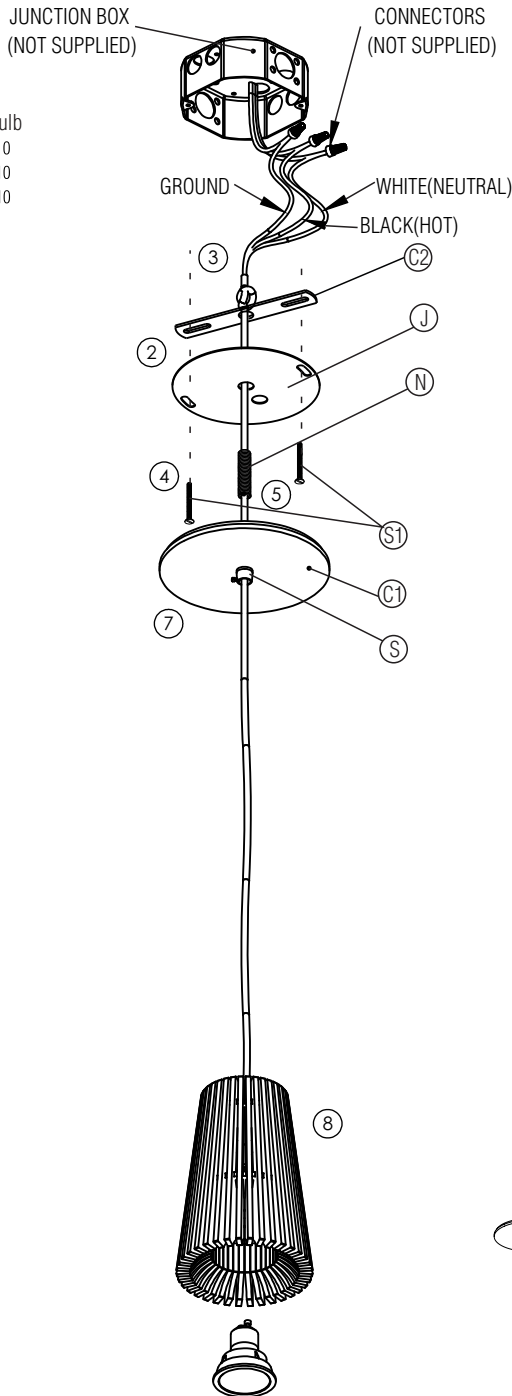
WARNING!



Be sure electrical power is OFF before and during installation or maintenance. The luminaire must be installed by a qualified electrician, in accordance with all applicable local codes.

Ensure that the rated luminaire voltage requirements are compatible with the available mains supply in which it will be installed. All LEDs are included in your lamp. Never touch the LED surface with your bare hands as this may reduce the life of your LED. Do not alter, relocate or remove any electrical component.

Ref.	/	Litgh bulb
1273	/	1x GU-10
1274	/	1x GU-10
1275	/	1x GU-10



Input Voltage: 120V - 240 V
Input Frequency: 60 Hz

Material: Natural Wood Veneer and MDF
Weight:

Read carefully all the assembling instructions below and turn OFF energy power before starting the installation.

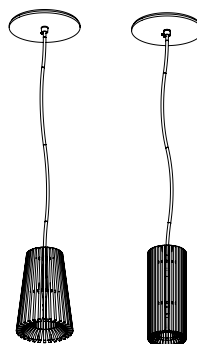
- ① Remove the protecting package from the pieces taking care to not harm any parts with cutting surfaces or objects. Lay the parts of the fixture on some horizontal surface in order to connect them, if needed use the protecting package to soften the surface and protect the parts from getting scratched or harmed.

MAKING ELECTRICAL CONNECTIONS

- ② Pass the energy cable through the strain relief (S) fixed in the canopy (C1), through the nipple (N), junction box cover (J) and crossbar (C2).
- ③ Make the electrical connections in accordance with all applicable local codes. This product must be installed in accordance with the applicable installation code by a person familiar with the construction and operation of the product, and the hazards involved.
- ④ Screw the crossbar (C2) and junction box cover (J) in the junction box using the provided screws (S1).
- ⑤ Once the crossbar and junction box cover are fixed in the ceiling, screw the nipple (N) on it and insert the excess energy cable into the junction box through the strain relief (S).
- ⑥ Once the nipple is fixed on the junction box, screw the strain relief (S) on the nipple until the canopy is fixed and tight against the ceiling.
- ⑦ Adjust the height of the pendant and fasten the strain relief screw to lock the energy cable.
- ⑧ Once the luminaire is suspended and level, install a Max 8W LED GU-10 MR16 bulb into the socket.

Turn on the energy power, your luminaire is ready for use.

PROVIDED SCREWS



ATTENTION!

FAILURE TO COMPLY WITH THESE INSTRUCTIONS MAY CAUSE ACCIDENTS AND LOSS OF PRODUCT WARRANTY. Its recommended to read these instructions completely and carefully before proceeding.

SAVE THESE INSTRUCTIONS FOR FUTURE REFERENCE.

ACCORD Lighting guarantees coverage against manufacturing defects including electrical components and finishes, for a period of three years, under normal use, from the date of purchase. For warranty service, please contact your local dealer for further instructions. Proof of date of purchase will be required for validation of warranty service.

The responsibility of the manufacturer regarding the product warranty is related to the correct observation of the instructions contained in this manual. The manufacturer is not responsible for any damage to the product caused by accidents, alterations of any kind, improper usage or improper installation. See the website for additional warranty details.

ACCORD Lighting reserves the right to change the dimensions and specifications contained in this manual without prior notice, in accordance with its policy of continuous product improvement. Please, contact the manufacturer if additional information is necessary. The illustrations in this manual are for guidance only and may vary in scale, dimensions and model details.