

F1049 / F1050

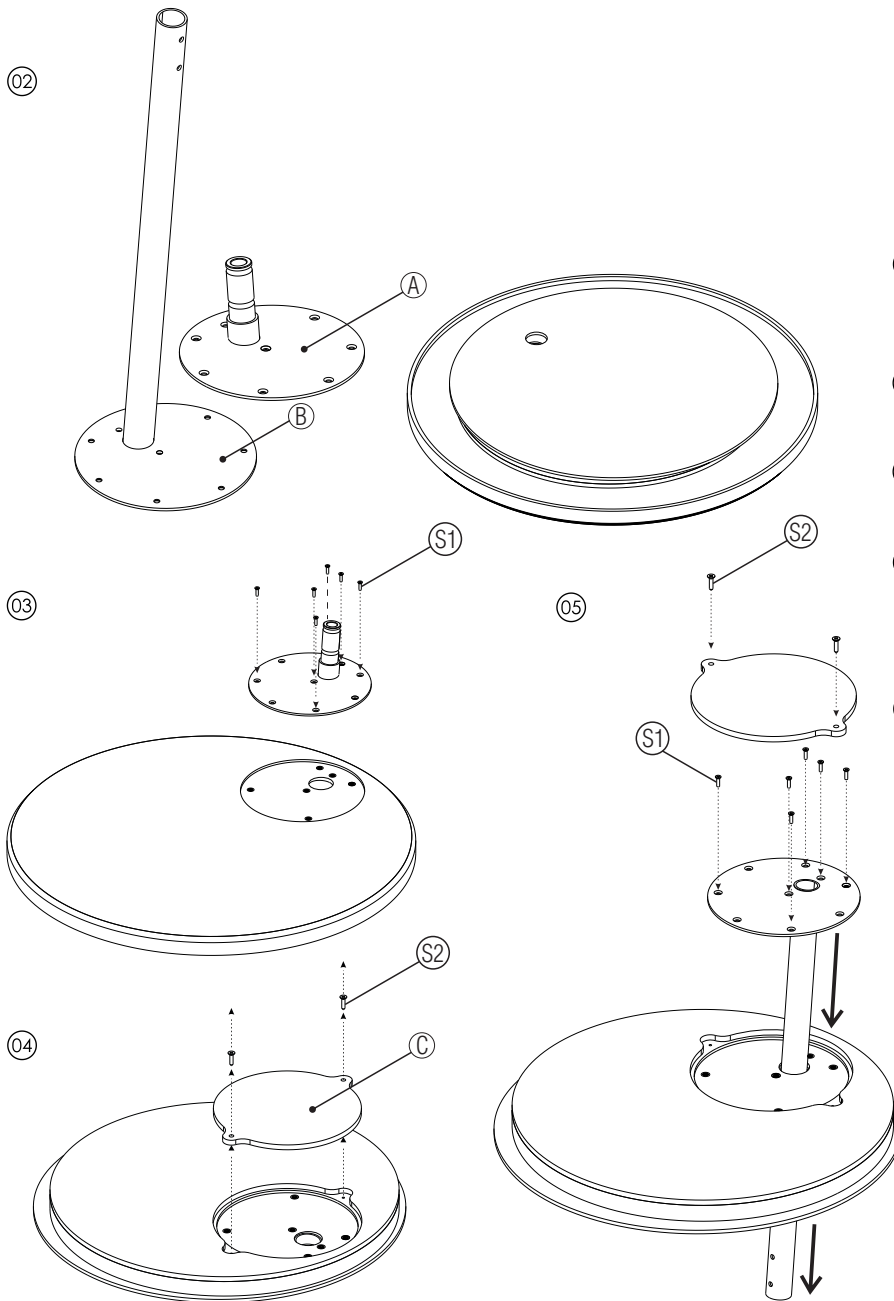
H13

**ASSEMBLING, USE AND CONSERVATION
INSTRUCTIONS - USA & CANADA**

COLLECTION: Balance
APPLICATION: Side Table
DESCRIPTION: Accord Balance Table F1049 / F1050
MATERIALS: Natural wood veneer, MDF, carbon steel.

Read carefully all the instructions for the removal of the package and for the correct assembling, use and application:

ASSEMBLING THE TABLE



- 01 Remove the protective packaging from the product, taking care not to damage any parts with sharp surfaces or cutting tools, such as knives, scissors, or box cutters.
- 02 After unpacking all the components of the table, note that the metal rod and the corresponding piece will be disassembled.
- 03 Next, attach the metal base (A) to the top panel using the provided screws (S1) as indicated in the diagram.
- 04 After attaching the rod to the top panel, proceed with assembling the base. Note that there will be a closing cap (C) at the bottom of the base secured by two screws (S2). Remove this cap to secure the metal rod (B).
- 05 With the cap removed, you will notice a larger hole for the rod to pass through. Carefully pass the rod through the hole without damaging it. Then, secure it using the provided screws (S1). Complete the upper base assembly by replacing the closing cap (C).

WARNING!

FAILURE TO COMPLY WITH THESE INSTRUCTIONS MAY CAUSE ACCIDENTS AND LOSS OF PRODUCT WARRANTY.
THE TABLE MUST NOT BE USED AS A SUPPORT SURFACE TO CLIMB OR SIT IN

SAVE THESE INSTRUCTIONS FOR FUTURE REFERENCE.

Accord Home guarantees coverage against manufacturing defects including finishes, for a period of three months, under normal use from the date of purchase. For warranty service, please contact your local dealer for further instructions. Proof of date of purchase will be required for validation of warranty service.

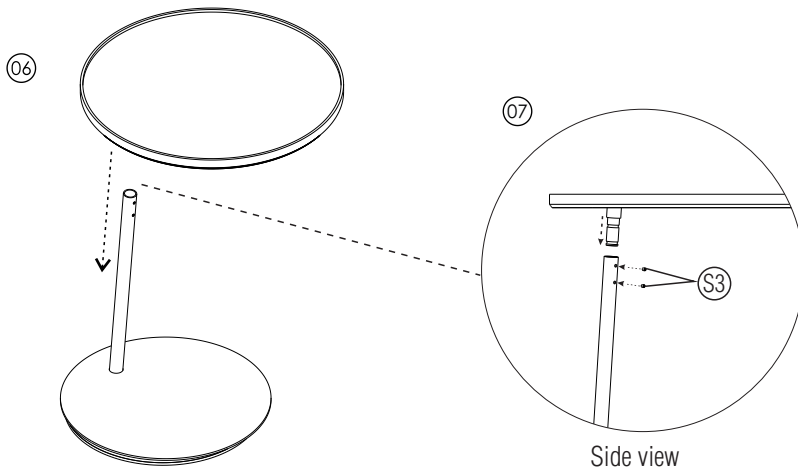
The responsibility of the manufacturer regarding the product warranty is related to the correct observation of the instructions contained in this manual. The manufacturer is not responsible for any damage to the product caused by accidents, alterations of any kind, improper usage or improper installation. See the website for additional warranty details.

Accord Home reserves the right to change the dimensions and specifications contained in this manual without prior notice, in accordance with its policy of continuous product improvement. Please, contact the manufacturer if additional information is necessary. The illustrations in this manual are for guidance only and may vary in scale, dimensions and model details.

F1049 / F1050

H13

**ASSEMBLING, USE AND CONSERVATION
INSTRUCTIONS - USA & CANADA**



COLLECTION: Balance
APPLICATION: Side Table
DESCRIPTION: Accord Balance Table F1049 / F1050
MATERIALS: Natural wood veneer, MDF, carbon steel.

- 06 After assembling the base with the rod, fit the top panel onto the base rod as indicated in the diagram.
- 07 Finally, align the top panel with the table base. After aligning, position the screws (S3) and tighten them using the provided Allen wrench.

Your table is ready for use!

USER GUIDE

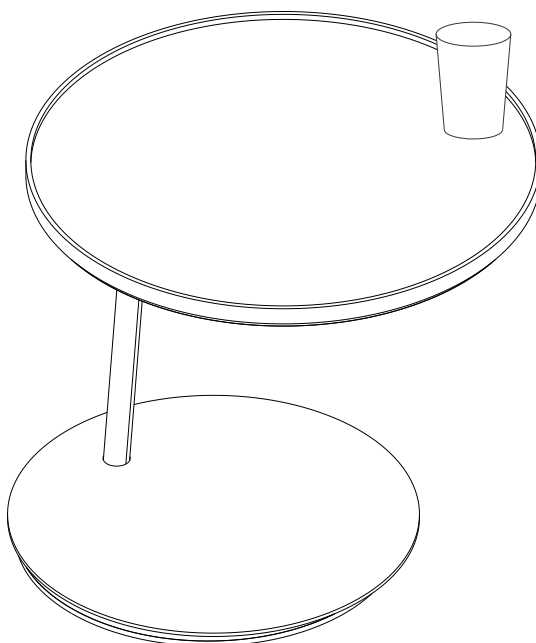
If the table is used next to or overlapping other pieces of furniture, such as sofas or armchairs, make sure that no part is in direct contact with surfaces or edges that could cause possible damage.

Objects or forces greater than **6,6lb** must not be placed on the tabletop, in order to preserve the integrity of the product.

The table is intended for indoor use, therefore, it must not be exposed to the elements, such as direct sunlight, humidity, sea air or extreme weather conditions.

Avoid placing glasses, bottles and other containers that are too hot, cold or wet on the table, in order to avoid permanent stains on the natural wood veneer.

The table must be cleaned using only a cloth slightly moistened with water and neutral soap, avoiding any abrasive cleaning product.



WARNING!

FAILURE TO COMPLY WITH THESE INSTRUCTIONS MAY CAUSE ACCIDENTS AND LOSS OF PRODUCT WARRANTY.

THE TABLE MUST NOT BE USED AS A SUPPORT SURFACE TO CLIMB OR SIT IN

SAVE THESE INSTRUCTIONS FOR FUTURE REFERENCE.

Accord Home guarantees coverage against manufacturing defects including finishes, for a period of three months, under normal use from the date of purchase. For warranty service, please contact your local dealer for further instructions. Proof of date of purchase will be required for validation of warranty service.

The responsibility of the manufacturer regarding the product warranty is related to the correct observation of the instructions contained in this manual. The manufacturer is not responsible for any damage to the product caused by accidents, alterations of any kind, improper usage or improper installation. See the website for additional warranty details.

Accord Home reserves the right to change the dimensions and specifications contained in this manual without prior notice, in accordance with its policy of continuous product improvement. Please, contact the manufacturer if additional information is necessary. The illustrations in this manual are for guidance only and may vary in scale, dimensions and model details.