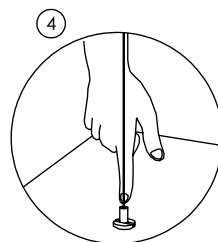
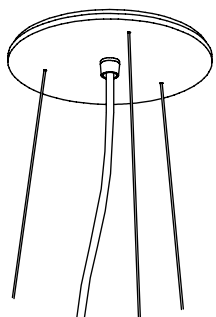
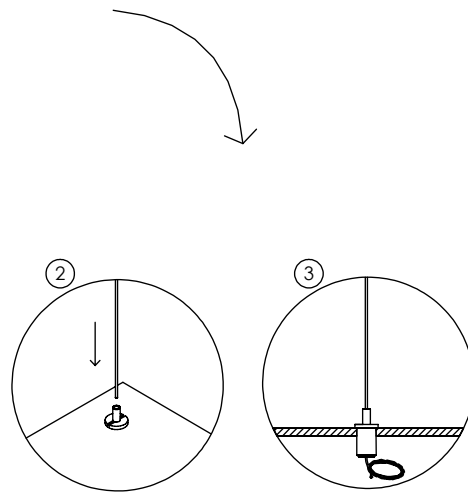
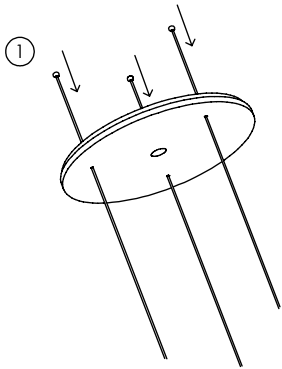


**WARNING!**



Be sure electrical power is OFF before and during installation or maintenance.  
The luminaire must be installed by a qualified electrician, in accordance with all applicable local codes.

Ensure that the rated luminaire voltage requirements are compatible with the available mains supply in which it will be installed.  
All LEDs are included in your lamp. Never touch the LED surface with your bare hands as this may reduce the life of your LED.  
Do not alter, relocate or remove any electrical component.



Line: Slatted  
Family: Pendant  
Description: Slatted Cylindrical Suspension Pendant

Material: Natural Wood Veneer MDF and Acrylic  
Weight:

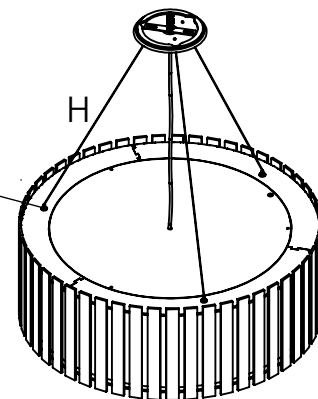
**INSTALLING THE FIXTURE ON CEILING**

Turn OFF the power before start the installation.

- ① Pass the support steel cables through the small holes in the canopy. Ensure the ball-end of the cables are on top in order to secure them in place.
- ② Insert the other end of each cable into the adjustable anchors mounted on top of the luminaire until they are tight.
- ③ Reserve extra cables by wrapping them inside of the luminaire. It is not necessary to cut the excess off, but ensure that the cables cannot touch any of the electrical connections.
- ④ After the canopy assembly is finished, level the fixture by making adjustments to the length of each cable as shown in the next step.

**ADJUSTING THE FIXTURE HEIGHT**

Choose the height (H) you want the luminaire to hang below the ceiling by pushing on the anchor to release tension. While pressing the tip, move the cable until it reaches the desired length. Release the tip and the cable will be locked again. Final adjustments can be made after the fixture is mounted.  
Now you are ready to make the electrical connection.



**ATTENTION!**



FAILURE TO COMPLY WITH THESE INSTRUCTIONS MAY CAUSE ACCIDENTS AND LOSS OF PRODUCT WARRANTY.  
It's recommended to read these instructions completely and carefully before proceeding.

**SAVE THESE INSTRUCTIONS FOR FUTURE REFERENCE.**

ACCORD Lighting guarantees coverage against manufacturing defects including electrical components and finishes, for a period of three years, under normal use, from the date of purchase. For warranty service, please contact your local dealer for further instructions. Proof of date of purchase will be required for validation of warranty service.

The responsibility of the manufacturer regarding the product warranty is related to the correct observation of the instructions contained in this manual. The manufacturer is not responsible for any damage to the product caused by accidents, alterations of any kind, improper usage or improper installation. See the website for additional warranty details.

ACCORD Lighting reserves the right to change the dimensions and specifications contained in this manual without prior notice, in accordance with its policy of continuous product improvement. Please, contact the manufacturer if additional information is necessary. The illustrations in this manual are for guidance only and may vary in scale, dimensions and model details.

**WARNING!**



Be sure electrical power is OFF before and during installation or maintenance.  
The luminaire must be installed by a qualified electrician, in accordance with all applicable local codes.

Ensure that the rated luminaire voltage requirements are compatible with the available mains supply in which it will be installed.  
All LEDs are included in your lamp. Never touch the LED surface with your bare hands as this may reduce the life of your LED.  
Do not alter, relocate or remove any electrical component.

Color Temperature: 2700K, 3000K, 3500K or 4000K  
CRI: 90  
Luminous Flux: 5000lm  
Total Power: 40W

Input Voltage: 110V - 277V  
Input Frequency: 60 Hz  
Isolation: Class II

Material: Natural Wood Veneer MDF and Acrylic  
Weight:

Height Adjustment Limit: 160cm/63in

**INSTALLING THE FIXTURE ON CEILING**

Turn OFF the power before start the installation.

- ⑤ Insert the electrical cable through the conical cable gland, nipple, canopy and crossbar.
- ⑥ Adjust the length of the electrical cable by attaching a knot to keep the luminaire at the desired height.
- ⑦ Connect the power supply wires to the junction, in accordance with applicable local standards, as shown in the diagram opposite.
- ⑧ Screw the crossbar into the junction box using the screws provided.

**ADJUSTING THE FIXTURE HEIGHT**

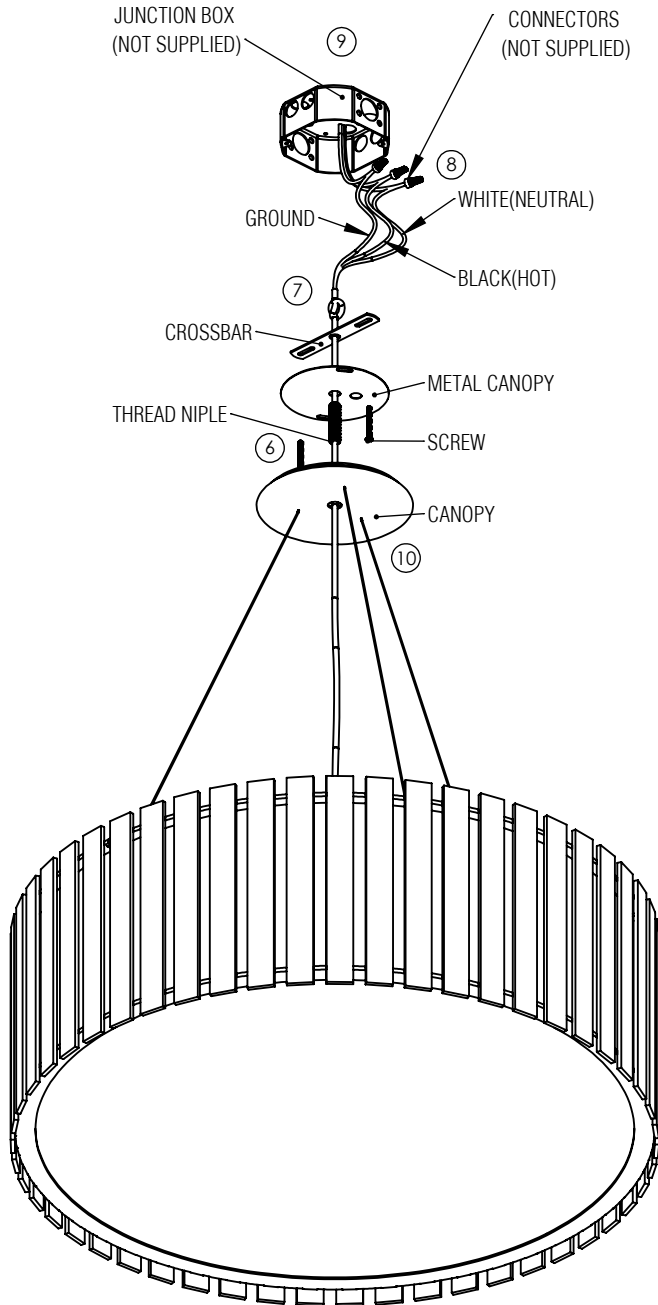
- ⑨ After making the electrical connection, insert the excess wire into the junction box.
- ⑩ Bring the canopy to the ceiling and secure it by screwing the the conical thread pass with the nipple to the crossbar, until everything is safe on the ceiling.

Turn ON electrical power.

Your luminaire is now ready for use.

**DIMMER COMPATIBILITY**

The LED driver included with this fixture is designed to operate with most standard dimmers. All power ratings and installation instructions from dimmer manufacturers' instruction sheets must be followed.



**ATTENTION!**



FAILURE TO COMPLY WITH THESE INSTRUCTIONS MAY CAUSE ACCIDENTS AND LOSS OF PRODUCT WARRANTY.  
It's recommended to read these instructions completely and carefully before proceeding.

**SAVE THESE INSTRUCTIONS FOR FUTURE REFERENCE.**

ACCORD Lighting guarantees coverage against manufacturing defects including electrical components and finishes, for a period of three years, under normal use, from the date of purchase. For warranty service, please contact your local dealer for further instructions. Proof of date of purchase will be required for validation of warranty service.

The responsibility of the manufacturer regarding the product warranty is related to the correct observation of the instructions contained in this manual. The manufacturer is not responsible for any damage to the product caused by accidents, alterations of any kind, improper usage or improper installation. See the website for additional warranty details.

ACCORD Lighting reserves the right to change the dimensions and specifications contained in this manual without prior notice, in accordance with its policy of continuous product improvement. Please, contact the manufacturer if additional information is necessary. The illustrations in this manual are for guidance only and may vary in scale, dimensions and model details.