

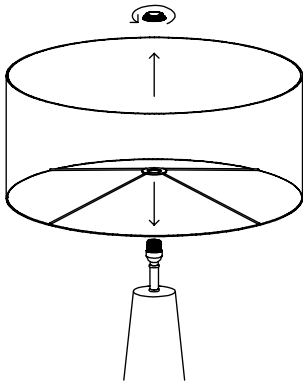
WARNING!



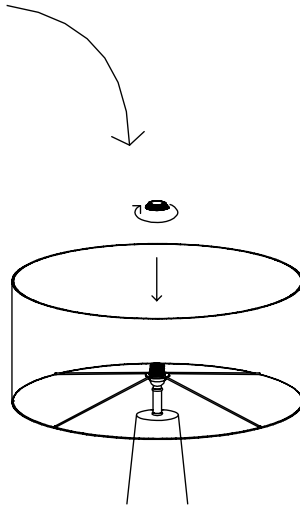
Be sure electrical power is OFF before and during installation or maintenance. The luminaire must be installed by a qualified electrician, in accordance with all applicable local codes.

Ensure that the rated luminaire voltage requirements are compatible with the available mains supply in which it will be installed. All LEDs are included in your lamp. Never touch the LED surface with your bare hands as this may reduce the life of your LED. Do not alter, relocate or remove any electrical component.

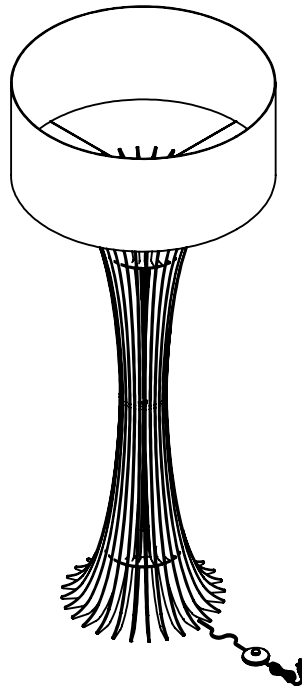
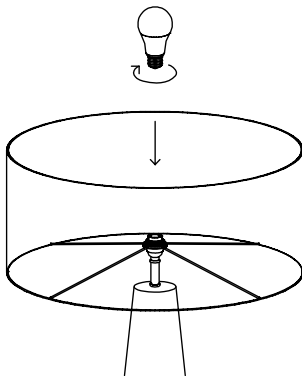
①



②



③



Line: STECCHE DI LEGNO
Family: FLOOR LAMP
Description: STECCHE DI LEGNO CURVED FLOOR LAMP

Material: NATURAL WOOD VENEER MDF LINEN SHADE
Weight: 6,00kg/13,23lb

MOUNTING ON THE FIXTURE

Turn OFF the power before start the installation.

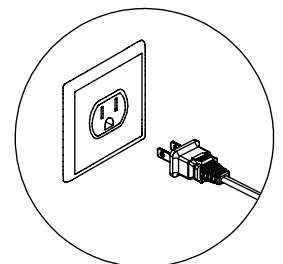
- ① At the bottom of the luminaire, remove the screw caps from the base to have access to the shade assembly where the lampholder is.
- ② Install a standard E-26 base lightbulb (not included) into the lampholder within the luminaire. Choose a UL Listed lightbulb that does not touch the shade and does not exceed the maximum wattage rating.
- ③ Insert the shade assembly with the lightbulb installed back into the luminaire and secure it with the screw caps supplied.
- ④ Plug it into a proper electrical outlet.

Turn ON electrical power.

Your luminaire is now ready for use. Use the electrical switch to turn it ON/OFF.

SAFETY WHEN CONNECTING TO THE MAINS

This luminaire has a polarized plug (one blade is wider than the other) as a safety feature to reduce the risk of electric shock. This plug will fit in a polarized outlet only one way. If the plug does not fit fully in the outlet, reverse the plug. If it still does not fit, contact a qualified electrician. Never use with adapters or extension cords unless the plug can be fully inserted. Do not alter the plug.



ATTENTION!



FAILURE TO COMPLY WITH THESE INSTRUCTIONS MAY CAUSE ACCIDENTS AND LOSS OF PRODUCT WARRANTY. Its recommended to read these instructions completely and carefully before proceeding.

SAVE THESE INSTRUCTIONS FOR FUTURE REFERENCE.

ACCORD Lighting guarantees coverage against manufacturing defects including electrical components and finishes, for a period of three years, under normal use, from the date of purchase. For warranty service, please contact your local dealer for further instructions. Proof of date of purchase will be required for validation of warranty service.

The responsibility of the manufacturer regarding the product warranty is related to the correct observation of the instructions contained in this manual. The manufacturer is not responsible for any damage to the product caused by accidents, alterations of any kind, improper usage or improper installation. See the website for additional warranty details.

ACCORD Lighting reserves the right to change the dimensions and specifications contained in this manual without prior notice, in accordance with its policy of continuous product improvement. Please, contact the manufacturer if additional information is necessary. The illustrations in this manual are for guidance only and may vary in scale, dimensions and model details.